



TOP SHELF PASS THROUGH STATION DRAINBOARDS
TSS Series - 12" - 30"W x 18-9/16"D with Perforated Insert



TSS24DB

JOB	
AREA	
ITEM NO.	
MODEL NO.	

MODELS
TSS12DB
TSS18DB
TSS24DB
TSS30DB

KEY PRODUCT FEATURES AND BENEFITS

- Drainboard tops are pitched to the drain, so water is evacuated quickly and effectively. With the matching insert, you still get a flat, level space to store your glassware.
- The default option of 'stadium' shaped perforated inserts enable great air flow for efficient glassware drying, maximize glass storage, and are designed to hold up to a busy bar environment abuse.
- Our new, more robust Perlick Quick Clamp leg attachment still features easy tool-less installation.
- All stainless construction with 18 gauge seamless stainless steel front apron for durability and cleanability.
- All Perlick drainboards are NSF-certified, so you can feel confident knowing your equipment will meet health code standards.

Additional Features:

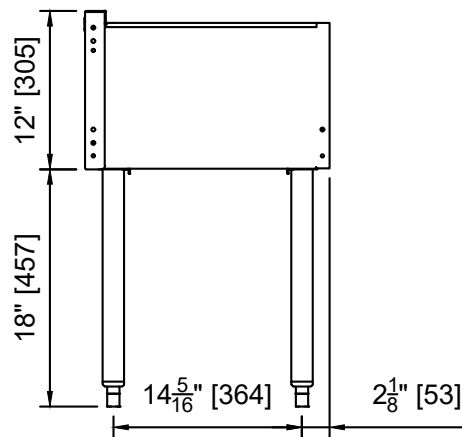
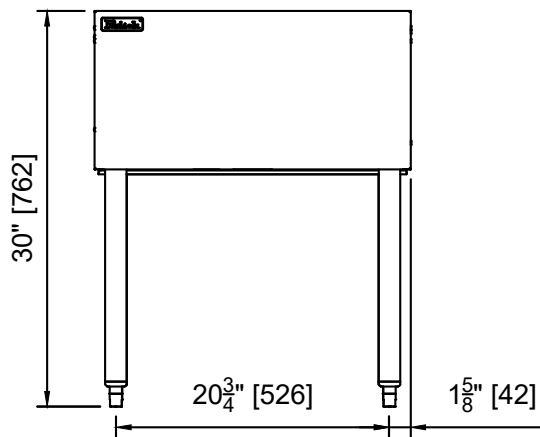
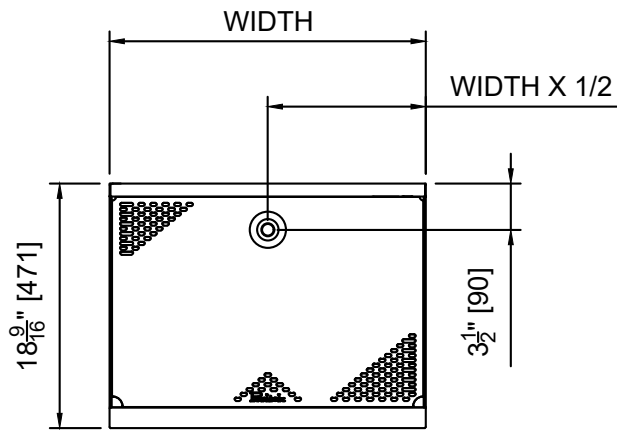
- Stainless steel legs with adjustable thermoplastic feet install without tools for freestanding applications.



TOP SHELF PASS THROUGH STATION DRAINBOARDS
TSS Series - 12"- 30"W x 18-9/16"D with Perforated Insert

MODEL NUMBERS - TSS12DB, TSS18DB, TSS24DB, TSS30DB

MODEL NOS.		TSS12	TSS18	TSS24	TSS30
DIMENSIONS: EXTERIOR	Width In. (mm)	12" (305)	18" (457)	24" (610)	30" (914)
	Depth In. (mm)	18-9/16" (471)	18-9/16" (471)	18-9/16" (471)	18-9/16" (471)
	Weight lb. (kg)	35 (16)	40 (18)	45 (20)	50 (23)
MATERIALS	Construction	All stainless steel			
	Front & Back	Seamless 18 gauge stainless steel			
	Drainboard	Pitched stainless steel drainboard top, All horizontal and vertical edges 1/4" radius with balled corners.			
	Legs	1-5/8" tubular, stainless steel with 1" adjustable thermoplastic foot			
MECHANICALS	Plumbing	Stainless steel drain socket located back center of the equipment. Drain connection is 1-1/2" NPS male.			
OPTIONAL ACCESSORIES (PARTIAL LIST)		Perforated insert(s), flat top insert(s), speed rails, bottle opener, end splashes, backsplash cutout			



TSS24