



**TOBIN ELLIS SIGNATURE SERIES BARTENDER STATION**  
**with Wall-Mount Faucet**  
 Featuring the industry's first bartenders' cockpit

Countertop not supplied by Perlick on all models



**PTE68-A-WF**

Shown with optional BBS36C  
 Note: See BBS36C spec sheet for additional information on Tobin Ellis Signature Series Front Facing Refrigeration Drawers

Shown with wall-mounted faucet



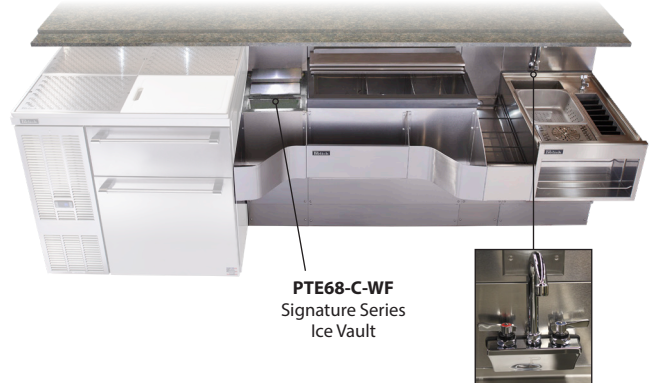
JOB	
AREA	
ITEM NO.	
MODEL NO.	

MODELS	
PTE68-A-WF	68" Bartender Station
PTE68-B-WF	68" Bartender Station with Soda Manifold
PTE68-C-WF	68" Bartender Station with Signature Series Ice Vault
PTE80-A-WF	80" Bartender Station

Note: Countertop not included on all models



**PTE68-B-WF**  
 Bottle well with soda manifold



**PTE68-C-WF**  
 Signature Series Ice Vault



**KEY PRODUCT FEATURES AND BENEFITS**

- Complete Tobin Ellis Signature Series Bartender Station packages available in two sizes - 68" (PTE68-A-WF, PTE68-B-WF, PTE68-C-WF) or 80" (PTE80-A-WF) to fit your bar design
- Insulated bottle well has capacity to hold (9) 750ml juice bottles or (6) 1-liter store-n-pours
- 30" sectioned ice bin includes standard 10-circuit cold plate with stainless dividers allowing for separated ice storage
- Each part number is a complete bartender station with accessories included for ease of ordering
- The complete bartender station can be configured into larger bar layout with ease and can be connected to other Perlick equipment

**Quick Features:**

- Perlick exclusive, curved speed rail design allows your bartender to be closer to their work counter and guests
- Slanted liquor step design with wire rack conveniently stores bottles for speedy access
- Prep sink and tool caddy consisting of main sink with integrated glass-rinser, sectional health code compliant tool caddy, wall-mounted faucet (-WF), and an optional built-in cubby for additional storage
- 3 bottle well options are available on the left: Signature Series bottle well, bottle well with soda manifold housing in the rear, and Perlick Signature Series Ice Vault designed by Tobin Ellis for craft ice storage and tempering



**TOBIN ELLIS SIGNATURE SERIES BARTENDER STATION**  
**with Wall-Mount Faucet**  
 Featuring the industry's first bartenders' cockpit

MODEL NUMBERS - PTE68-A-WF, PTE68-B-WF, PTE68-C-WF, PTE80-A-WF

MODEL NOS.		PTE68-A-WF	PTE68-B-WF	PTE68-C-WF	PTE80-A-WF
<b>DIMENSIONS: EXTERIOR (mm)</b>	<b>Overall Length</b>	68"	68"	68"	80"
	<b>Unit Depth</b>	27-9/16" front to back			
	<b>Unit Height</b>	36" free standing, 40-3/8" on modbar	40" free standing, 40-3/8" on modbar	36" free standing, 40-3/8" on modbar	36" free standing, 40-3/8" on modbar
	<b>Mounting</b>	Available as freestanding or on a Perlick Modbar			
	<b>Ice Capacity lbs. (kg)</b>	90 (40.8)			
	<b>Liquor Bottle capacity (750ml)</b>	39	36	31	46
	<b>Shipping Dimensions</b>	68" X 30" X 35"	68" X 30" X 35"	68" X 30" X 35"	80" X 30" X 35"
	<b>Shipping weight</b>	450 lbs	450 lbs	485 lbs	520 lbs
<b>COMPONENT MODEL NUMBERS</b>	<b>Bottle Well Unit</b>	Standard bottle well (TSC12IBW)	Bottle well with soda manifold (TSC12IBW-MH)	Ice Vault in place of bottle well (ISC-12) <i>Note: electrical required</i>	Extra deep bottle well and standard bottle well w/ manifold housing (TSCE12IBW & TSC12IBW-MH)
	<b>Ice Bin Size</b>	30" (TSC30IC10)			
	<b>Liquor Step</b>	8" slanted (TSCE8SSR)	8" slanted (TSCE8SSR)	8" slanted (TSCE8SSR)	8" slanted w/blender platform (TSCE8SSR-BP)
	<b>Prep Sink</b>	18" sink / glass rinser / tool caddy / and recessed front cubby (TSCE18PSTC-RC)			
	<b>Accessories included</b>	Ice bin cover (ICC-C30), Bin divider (2) (ICC-TSC), Perlick Exclusive curved speed rail set (SRC-CL/SRC-S18/SRC-CR), Splash mounted goose neck faucet (934GN-LF), Stainless steel wet waste basket (7055-47)			
<b>Certifications</b>	Model numbers used in these pre-configured Bartender Stations are NSF listed				
<b>SPECIFICATIONS</b>	<b>Materials</b>	Stainless steel, ABS top rim on ice chests			
	<b>Drain Sizes</b>	1/2" NPS Drain - Bottle Wells 1/2" - 14 NPSM Male Drain - Ice Chests 1-1/2" NPS Drain - Prep Sink 1-1/2" NPS Drain - Tool Caddy			
	<b>Cold Plate</b>	10 Circuit cast aluminum cold plate on all models, accepts standard 1/4" ID beverage tubing			
	<b>Ice Vault</b>	R290 refrigerant - 30 grams, 1/10th HP, 115 volt, 60 Hz, 1 Amp, 1 Phase AC, furnished with 8ft power cord			
	<b>Back Splash</b>	6" height and 1" return on top			
	<b>Faucet</b>	4" OC wall mounted Gooseneck Faucet (934GN-LF), 1/2" IPS hot & cold connections			
	<b>Dipperwell faucet</b>	1/2" IPS W/51-9 Nut and tail piece			
	<b>Glass Rinser</b>	1/2" NPS for valve connection for 3/8" flexible hose - glass rinser			
	<b>Legs</b>	1-5/8" Tubular, stainless steel with 1" adjustable thermoplastic foot			
	<b>Sink bowl</b>	9-1/2" x 16-5/16" x 7-3/16" Deep, accommodates optional wet waste pan			

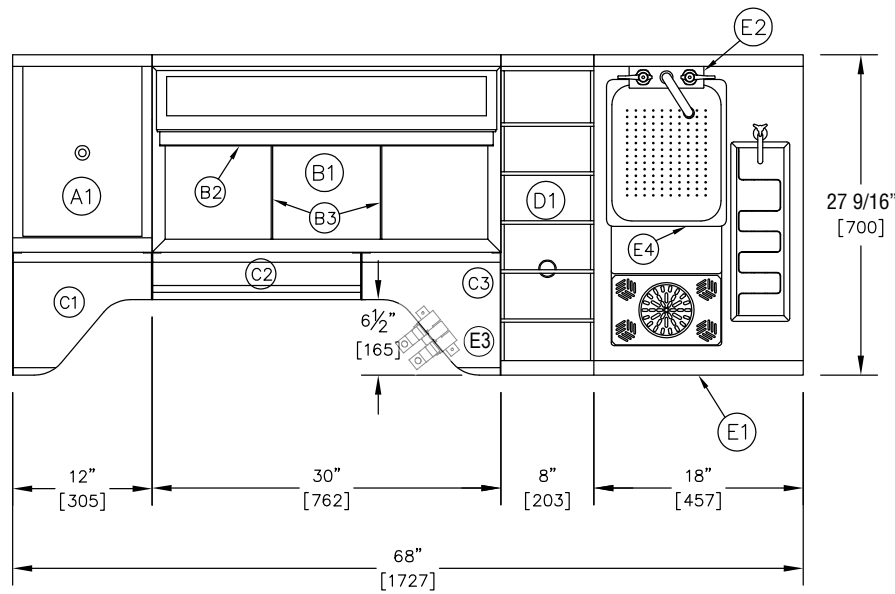


**TOBIN ELLIS SIGNATURE SERIES BARTENDER STATION**  
 with *Wall-Mount Faucet*  
 Featuring the industry's first bartenders' cockpit

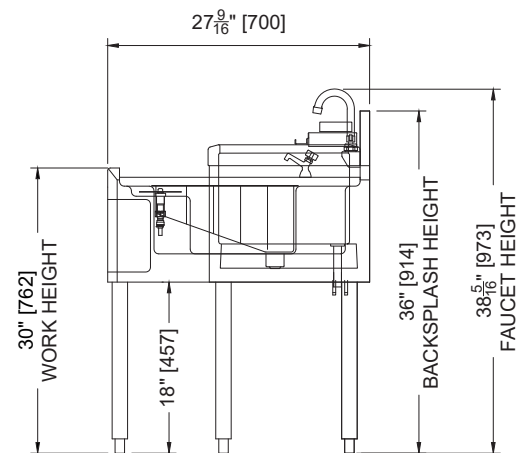
**PTE68-A-WF**

**Included Equipment**

ITEM #	PART NO.	DESCRIPTION	QTY.
A1	TSC12IBW	Insulated Bottle Well, 12", (17" Depth)	1
B1	TSC30IC10	Ice Chest, w/10 Circuit Cold Plate, 30" (17" Depth)	1
B2	ICC-C30	Covers, 3 Piece, Sliding, 30"	1
B3	ICC-TSC	Ice Divider	2
C1	SRC-CL	Speed Rail, Curved, Left End	1
C2	SRC-S18	Speed Rail, Single, 18"	1
C3	SRC-CR	Speed Rail, Curved, Right End	1
D1	TSCE8SSR	Slanted Speed Rack, 8" (27-9/16" Depth)	1
E1	TSCE18PSTC-RC	Utility Sink w/Glass Rinser & Tool Caddy, 18" w/Recessed Cubby (27-9/16" Depth)	1
E2	934GN-LF	Wall Mount Faucet, Goose Neck	1
E3	67420-2-LF	Optional foot pedal shown for proper location only. Needs to be ordered separately.	1
E4	7055-47	Wet Waste Basket, Stainless Steel	1



**PTE68-A-WF: Top View**



**PTE68-A-WF: Right Side View**

**California Prop 65 Notice:**

**WARNING:** The materials used in this product may contain chemicals known to the State of California to cause cancer and birth defects or other reproductive harm, For more information go to [www.P65Warnings.ca.gov](http://www.P65Warnings.ca.gov).

Form No. Z2552  
 Rev. 06.19.24

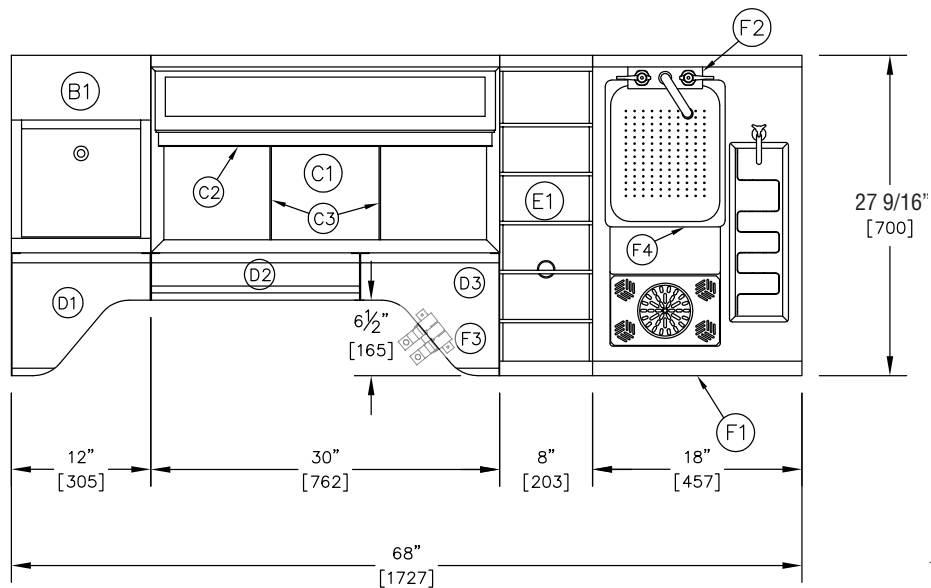


**TOBIN ELLIS SIGNATURE SERIES BARTENDER STATION**  
*with Wall-Mount Faucet*  
 Featuring the industry's first bartenders' cockpit

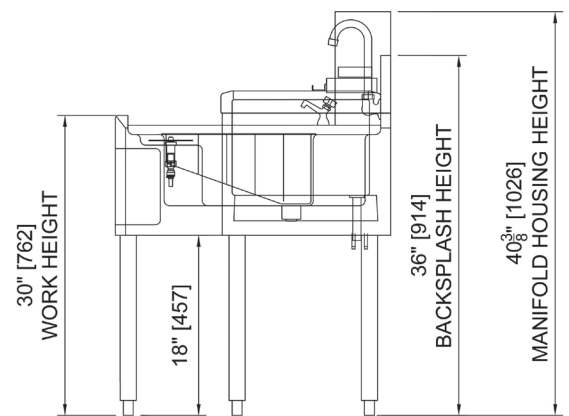
**PTE68-B-WF**

**Included Equipment**

ITEM #	PART NO.	DESCRIPTION	QTY.
B1	TSC12IBW-MH	Insulated Bottle Well with Soda Gun, Manifold Housing, 12", (17" Depth)	1
C1	TSC30IC10	Ice Chest, w/10 Circuit Cold Plate, 30" (17" Depth)	1
C2	ICC-C30	Covers, 3 Piece, Sliding, 30"	1
C3	ICC-TSC	Ice Divider	2
D1	SRC-CL	Speed Rail, Curved, Left End	1
D2	SRC-S18	Speed Rail, Single, 18"	1
D3	SRC-CR	Speed Rail, Curved, Right End	1
E1	TSCE8SSR	Slanted Speed Rack, 8" (27-9/16" Depth)	1
F1	TSCE18PSTC-RC	Utility Sink w/Glass Rinsr & Tool Caddy, 18" w/Recessed Cubby (27-9/16" Depth)	1
F2	934GN-LF	Wall Mount Faucet, Goose Neck	1
F3	67420-2-LF	Optional foot pedal shown for proper location only. Needs to be ordered separately.	1
F4	7055-47	Wet Waste Basket, Stainless Steel	1



**PTE68-B-WF: Top View**



**PTE68-B-WF: Right Side View**

**California Prop 65 Notice:**

**WARNING:** The materials used in this product may contain chemicals known to the State of California to cause cancer and birth defects or other reproductive harm. For more information go to [www.P65Warnings.ca.gov](http://www.P65Warnings.ca.gov).

Form No. Z2552  
 Rev. 06.19.24

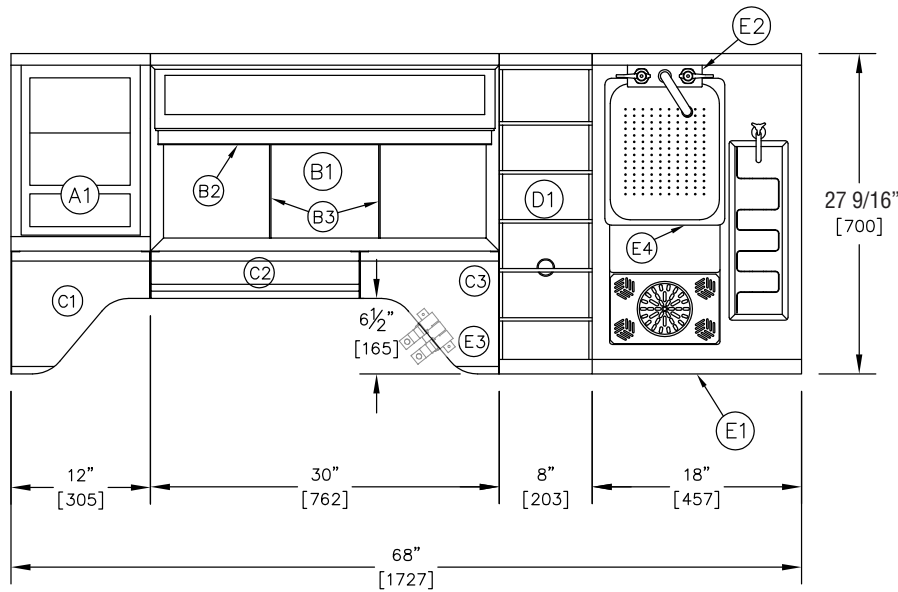


**TOBIN ELLIS SIGNATURE SERIES BARTENDER STATION**  
 with *Wall-Mount Faucet*  
 Featuring the industry's first bartenders' cockpit

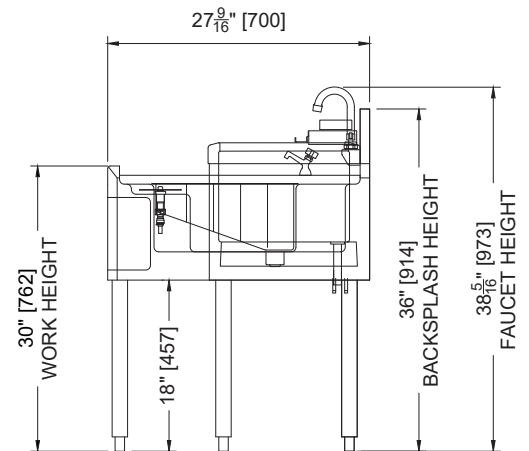
**PTE68-C-WF**

**Included Equipment**

ITEM #	PART NO.	DESCRIPTION	QTY.
A1	ISC12	Ice Vault - Large Format Craft Ice Management System	1
B1	TSC30IC10	Ice Chest, w/10 Circuit Cold Plate, 30" (17" Depth)	1
B2	ICC-C30	Covers, 3 Piece, Sliding, 30"	1
B3	ICC-TSC	Ice Divider	2
C1	SRC-CL	Speed Rail, Curved, Left End	1
C2	SRC-S18	Speed Rail, Single, 18"	1
C3	SRC-CR	Speed Rail, Curved, Right End	1
D1	TSCE8SSR	Slanted Speed Rack, 8" (27-9/16" Depth)	1
E1	TSCE18PSTC-RC	Utility Sink w/Glass Rinser & Tool Caddy, 18" w/Recessed Cubby (27-9/16" Depth)	1
E2	934GN-LF	Wall Mount Faucet, Goose Neck	1
E3	67420-2-LF	Optional foot pedal shown for proper location only. Needs to be ordered separately.	1
E4	7055-47	Wet Waste Basket, Stainless Steel	1



**PTE68-C-WF: Top View**



**PTE68-C-WF: Right Side View**

**California Prop 65 Notice:**

**WARNING:** The materials used in this product may contain chemicals known to the State of California to cause cancer and birth defects or other reproductive harm. For more information go to [www.P65Warnings.ca.gov](http://www.P65Warnings.ca.gov).

Form No. Z2552  
 Rev. 06.19.24

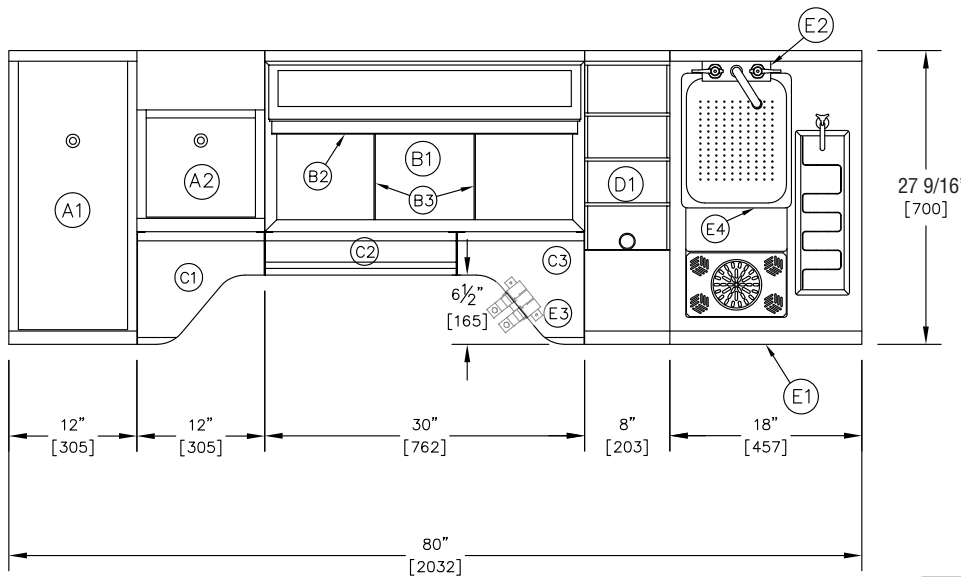


**TOBIN ELLIS SIGNATURE SERIES BARTENDER STATION**  
*with Wall-Mount Faucet*  
 Featuring the industry's first bartenders' cockpit

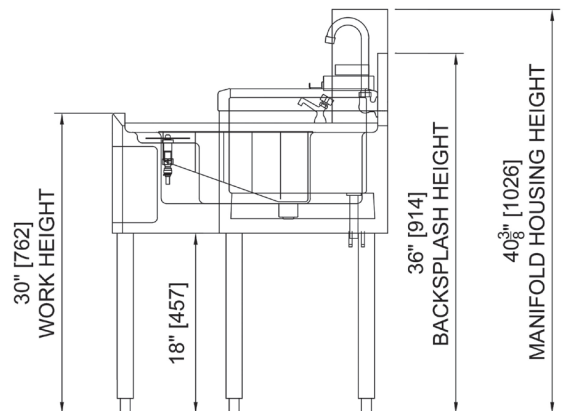
**PTE80-A-WF**

**Included Equipment**

ITEM #	PART NO.	DESCRIPTION	QTY.
A1	TSCE12IBW	Insulated Bottle Well, 12", (27-9/16" Depth)	1
A2	TSC12IBW-MH	Insulated Bottle Well, w/Manifold Housing, 12" (17" Depth)	1
B1	TSC30IC10	Ice Chest, w/10 Circuit Cold Plate, 30" (17" Depth)	1
B2	ICC-C30	Covers, 3 Piece, Sliding, 30"	1
B3	ICC-TSC	Ice Divider	2
C1	SRC-CL	Speed Rail, Curved, Left End	1
C2	SRC-S18	Speed Rail, Single, 18"	1
C3	SRC-CR	Speed Rail, Curved, Right End	1
D1	TSCE8SSR-BP	Slanted Speed Rack with Blender Platform, 8" (27-9/16" Depth)	1
E1	TSCE18PSTC-RC	Utility Sink w/Glass Rinser & Tool Caddy, 18" w/Recessed Cubby (27-9/16" Depth)	1
E2	934GN-LF	Wall Mount Faucet, Goose Neck	1
E3	67420-2-LF	Optional foot pedal shown for proper location only. Needs to be ordered separately.	1
E4	7055-47	Wet Waste Basket, Stainless Steel	1



**PTE80-A-WF: Top View**



**PTE80-A-WF: Right Side View**