



**TOP SHELF CORNER DRAINBOARDS**  
*TS & TSF Series Inside Corner Drainboards*



JOB	
AREA	
ITEM NO.	
MODEL NO.	

MODELS
TS90TC
TSF90TC
TSF90D-I
TS90D-FI
TSF90D-FI



**KEY PRODUCT FEATURES AND BENEFITS**

- Drainboard tops are pitched to the drain, so water is evacuated quickly and effectively. With the matching insert, you still get a flat, level space to store your glassware.
- The default option of 'stadium' shaped perforated inserts enable great air flow for efficient glassware drying, maximize glass storage, and are designed to hold up to a busy bar environment abuse.
- Our new, more robust Perlick Quick Clamp leg attachment still features easy tool-less installation.
- All stainless construction with 18 gauge seamless stainless steel front apron for durability and cleanability.
- All Perlick drainboards are NSF-certified, so you can feel confident knowing your equipment will meet health code standards.

**Additional Features:**

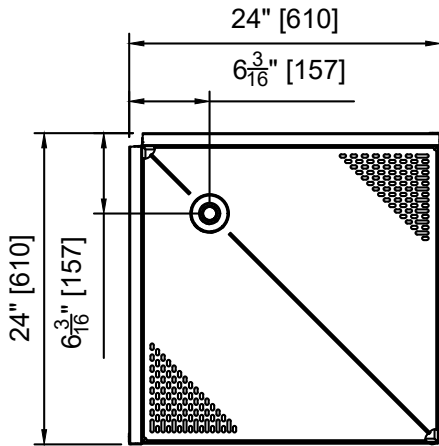
- Optional Perlick Flex Mount leg relocation kit moves rear legs forward for additional space behind the equipment or moves forward legs rearward to help avoid pesky floor drains, available on TSF units.
- Stainless steel legs with adjustable thermoplastic feet install without tools, option on several units.

Form No. Z2397  
 Rev. 12.05.23



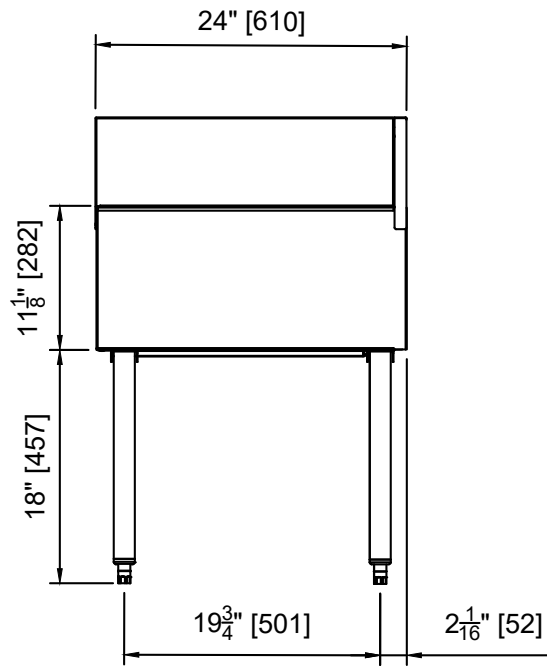
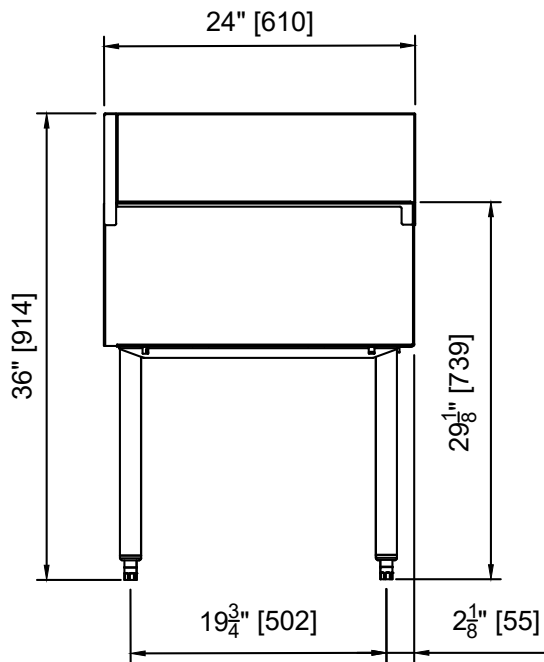
**TOP SHELF CORNER DRAINBOARDS**  
*TS & TSF Series Inside Corner Drainboards*

MODEL NUMBERS - TS90TC, TSF90TC, TSF90D-I, TS90D-FI, TSF90D-FI



\*CUTOUT SHOWN FOR DRAIN REFERENCE

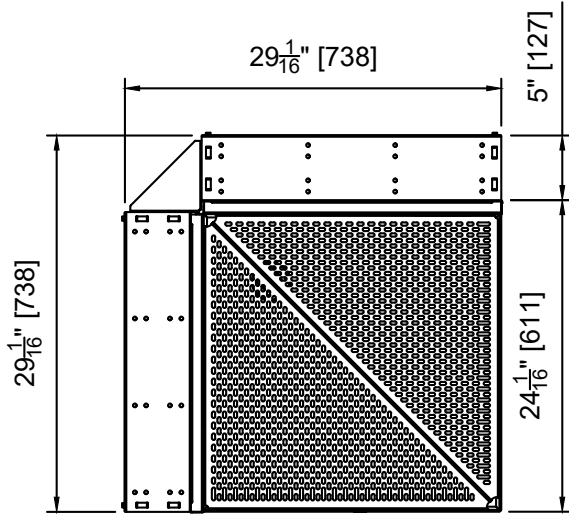
**TS90D-I**



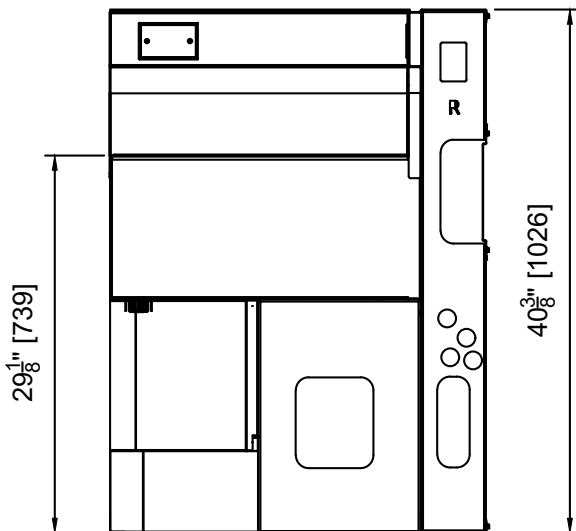
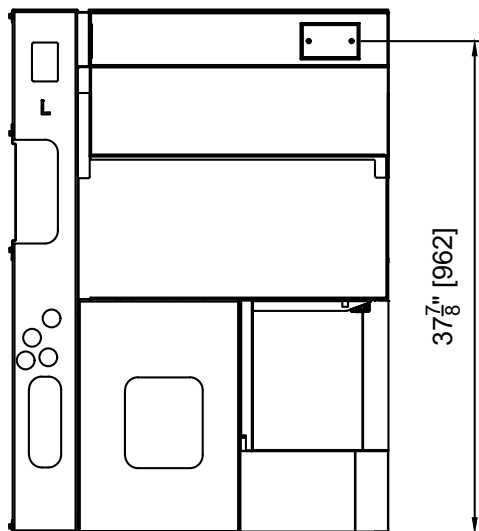


**TOP SHELF CORNER DRAINBOARDS**  
*TS & TSF Series Inside Corner Drainboards*

MODEL NUMBERS - TS90TC, TSF90TC, TSF90D-I, TS90D-FI, TSF90D-FI



TS90D-I





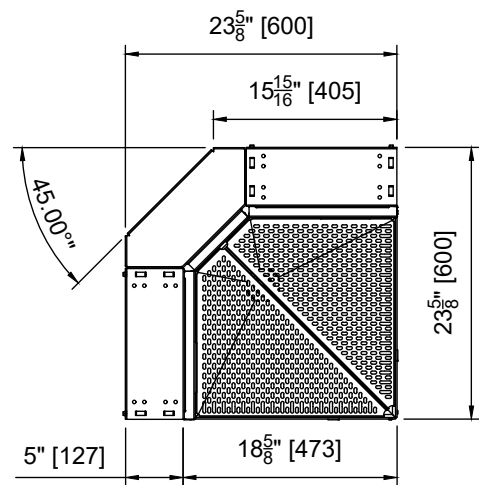
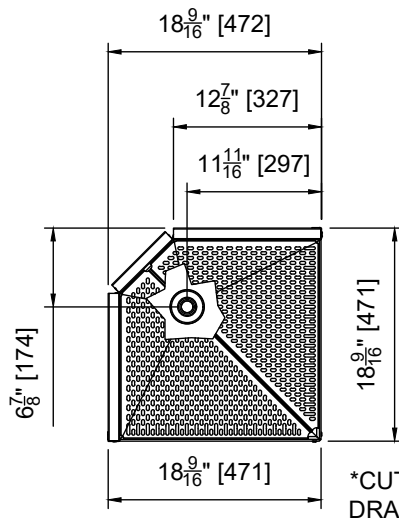
## TOP SHELF CORNER DRAINBOARDS

*TS & TSF Series Inside Corner Drainboards*

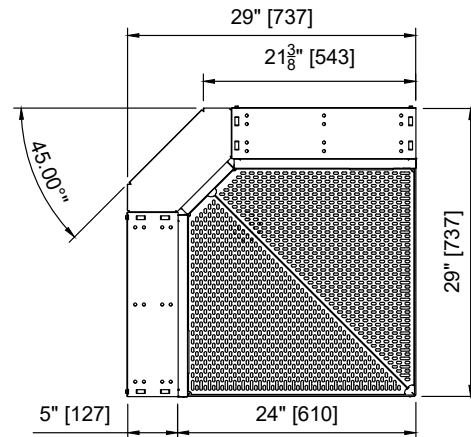
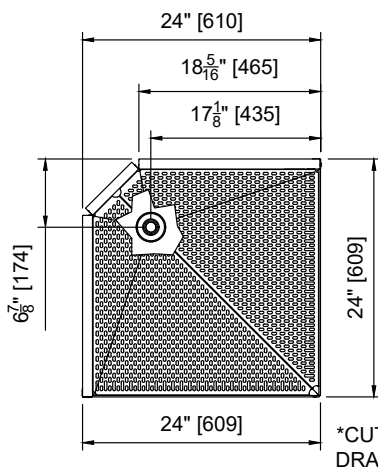
MODEL NUMBERS - TS90TC, TSF90TC, TSF90D-I, TS90D-FI, TSF90D-FI

MODEL NOS.		TS90TC	TSF90TC	TSF90D-I	TS90D-FI	TSF90D-FI
<b>DIMENSIONS: EXTERIOR</b>	Width In. (mm)	18-9/16" (471)	24" (610)	24" (610)	18-9/16" (471)	24" (610)
	Depth In. (mm)	18-9/16" (471)	24" (610)	24" (610)	18-9/16" (471)	24" (610)
	Weight lb. (kg)	45 (20)	50 (23)	50 (23)	45 (20)	50 (23)
<b>MATERIALS</b>	Construction	All stainless steel				
	Front & Back	Seamless 18 gauge stainless steel				
	Backsplash	6" or 4" high stainless steel with 1" return, fastened and sealed.				
	Drainboard	Pitched stainless steel drainboard top, all horizontal and vertical edges 1/4" radius with balled corners.				
	Legs	1-5/8" tubular, stainless steel with 1" adjustable thermoplastic foot				
<b>PLUMBING</b>	Drain Connection	Stainless steel drain socket located back center of the equipment. Drain connection is 1-1/2" NPS male.				

## TS90TC



## TSF90TC

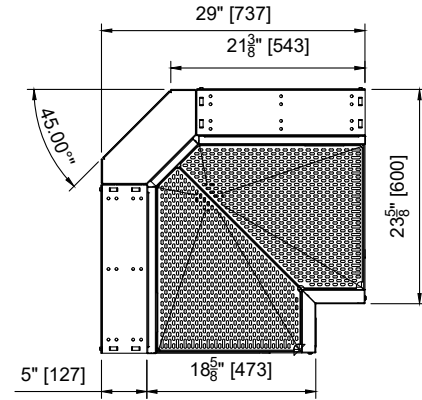
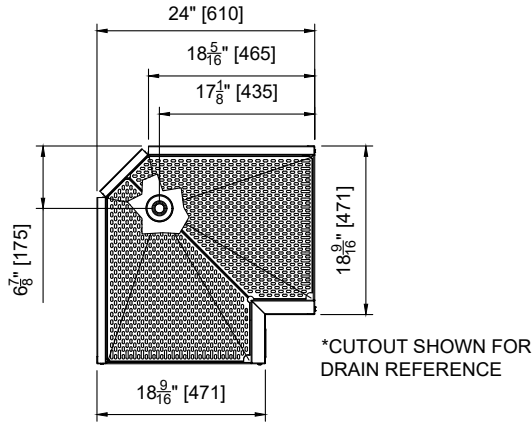




**TOP SHELF CORNER DRAINBOARDS**  
*TS & TSF Series Inside Corner Drainboards*

MODEL NUMBERS - TS90TC, TSF90TC, TSF90D-I, TS90D-FI, TSF90D-FI

# TS90D-FI



# TSF90D-FI

