



TOP SHELF CORNER DRAINBOARDS
TS & TSF Series Inside Corner Drainboards



JOB	
AREA	
ITEM NO.	
MODEL NO.	

MODELS
TS90TC
TSF90TC
TSF90D-I
TS90D-FI
TSF90D-FI



KEY PRODUCT FEATURES AND BENEFITS

- Drainboard tops have drain lines indented towards the drain so water is evacuated quickly and effectively, with the matching insert you get a flat, level space to store your glassware.
- The default option of 'stadium' shaped perforated inserts enable great air flow for efficient glassware drying, maximize glass storage, and are designed to hold up to a busy bar environment abuse.
- Our new, more robust Perlick Quick Clamp leg attachment still features easy tool-less installation.
- All stainless construction with 18 gauge seamless stainless steel front apron for durability and cleanability.
- All Perlick drainboards are NSF-certified, so you can feel confident knowing your equipment will meet health code standards.

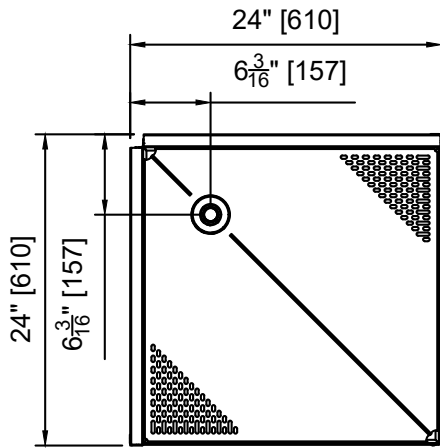
Additional Features:

- Optional Perlick Flex Mount leg relocation kit moves rear legs forward for additional space behind the equipment or moves forward legs rearward to help avoid pesky floor drains, available on TSF units.
- Stainless steel legs with adjustable thermoplastic feet install without tools, option on several units.

Perlick® **TOP SHELF CORNER DRAINBOARDS**
TS & TSF Series Inside Corner Drainboards

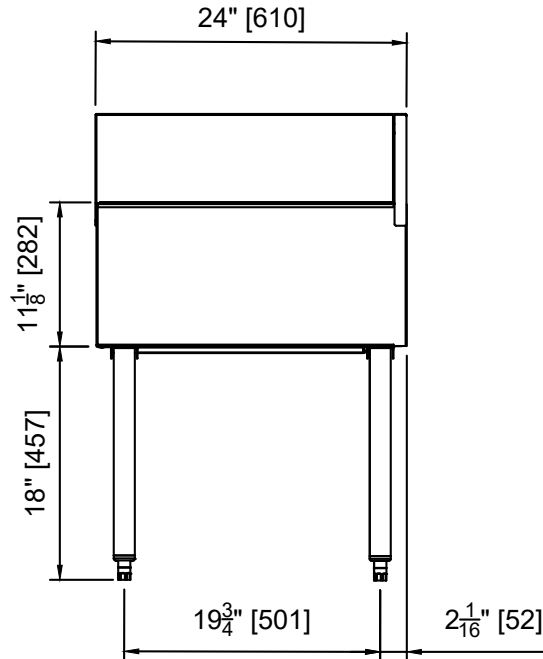
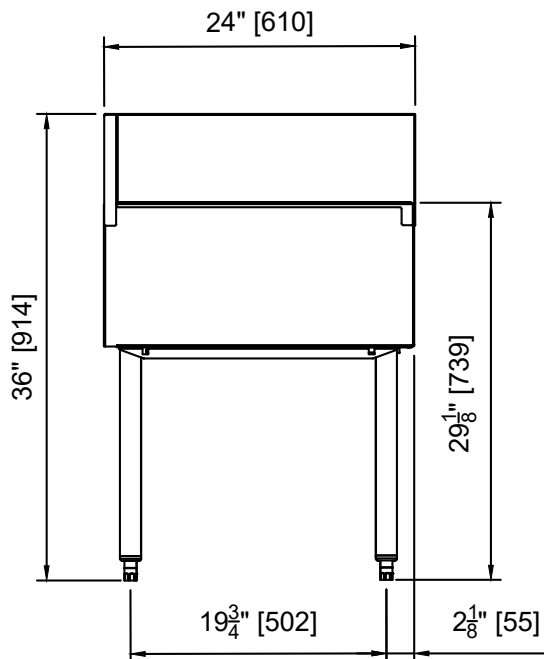
MODEL NUMBERS - TS90TC, TSF90TC, TSF90D-I, TS90D-FI, TSF90D-FI

MODEL NOS.		TS90TC	TSF90TC	TSF90D-I	TS90D-FI	TSF90D-FI
DIMENSIONS: EXTERIOR	Width In. (mm)	18-9/16" (471)	24" (610)	24" (610)	18-9/16" (471)	24" (610)
	Depth In. (mm)	18-9/16" (471)	24" (610)	24" (610)	18-9/16" (471)	24" (610)
	Weight lb. (kg)	45 (20)	50 (23)	50 (23)	45 (20)	50 (23)
MATERIALS	Construction	All stainless steel				
	Front & Back	Seamless 18 gauge stainless steel				
	Backsplash	6" or 4" high stainless steel with 1" return, fastened and sealed.				
	Drainboard	Pitched stainless steel drainboard top, all horizontal and vertical edges 1/4" radius with balled corners.				
	Legs	1-5/8" tubular, stainless steel with 1" adjustable thermoplastic foot				
PLUMBING	Drain Connection	Stainless steel drain socket located back center of the equipment. Drain connection is 1-1/2" NPS male.				



*CUTOUT SHOWN FOR DRAIN REFERENCE

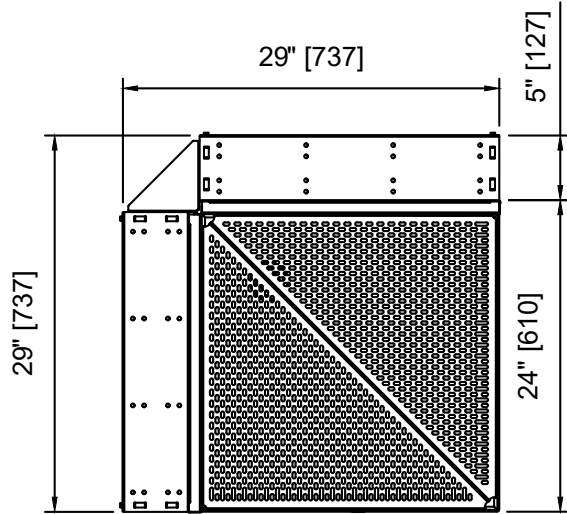
TFS90D-I



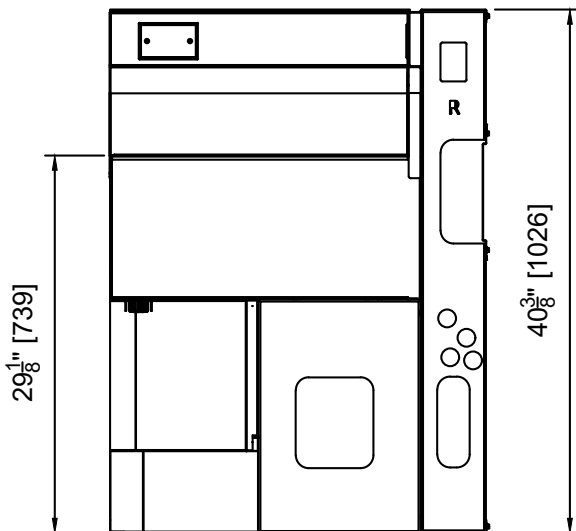
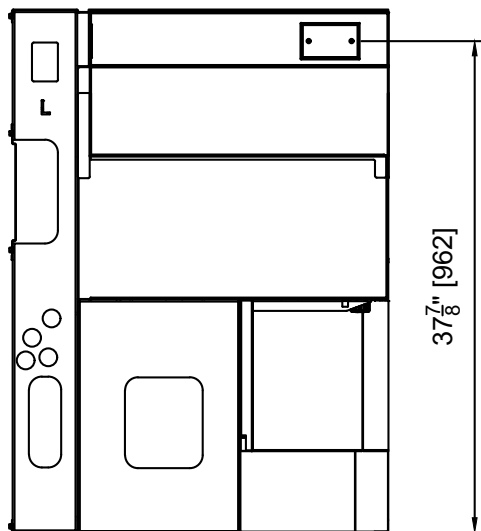


TOP SHELF CORNER DRAINBOARDS
TS & TSF Series Inside Corner Drainboards

MODEL NUMBERS - TS90TC, TSF90TC, TSF90D-I, TS90D-FI, TSF90D-FI



TSF90D-I

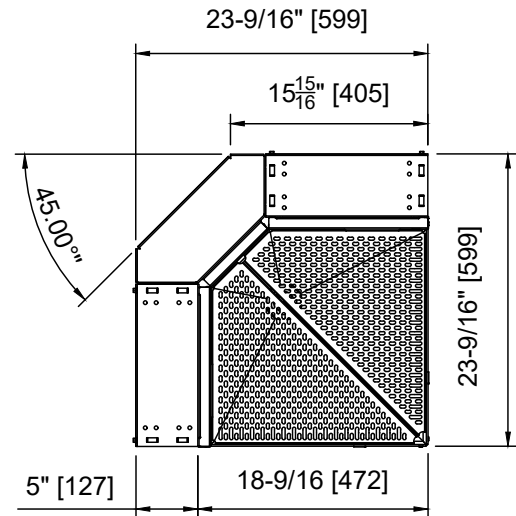
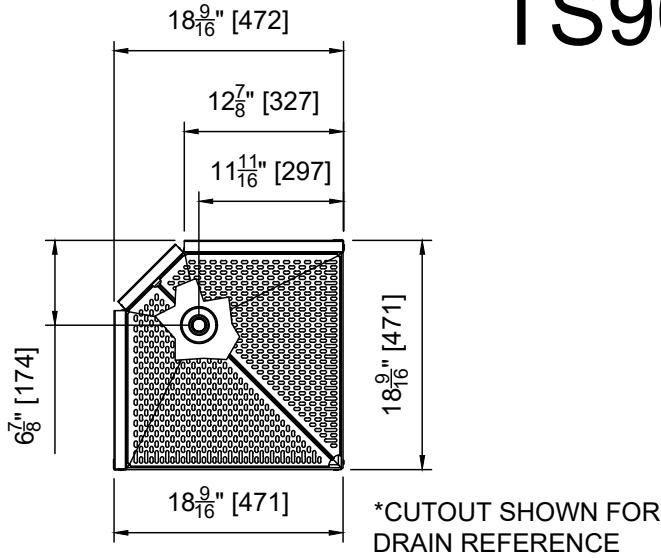




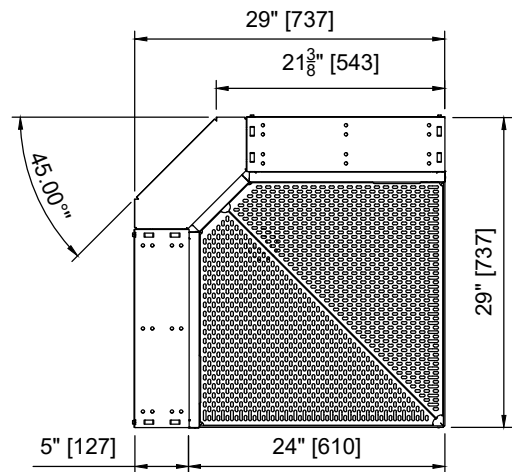
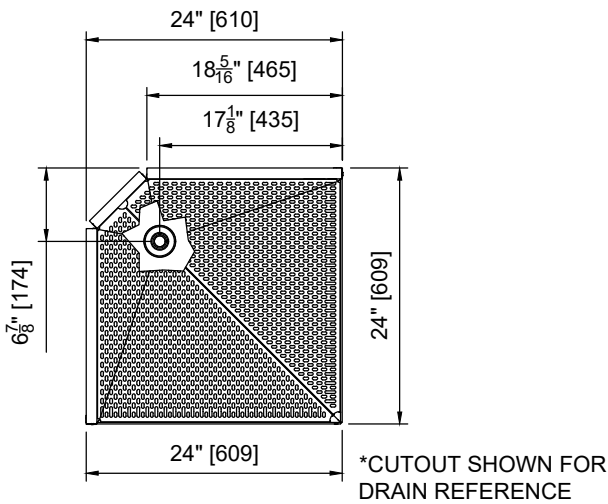
TOP SHELF CORNER DRAINBOARDS
TS & TSF Series Inside Corner Drainboards

MODEL NUMBERS - TS90TC, TSF90TC, TSF90D-1, TS90D-F1, TSF90D-F1

TS90TC



TSF90TC

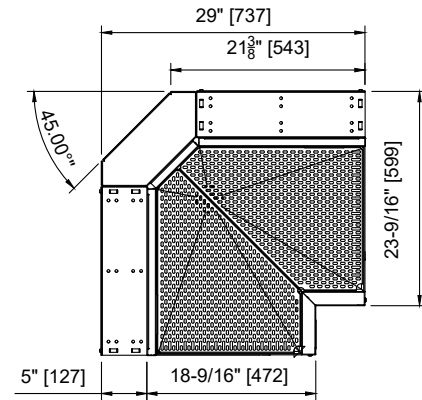
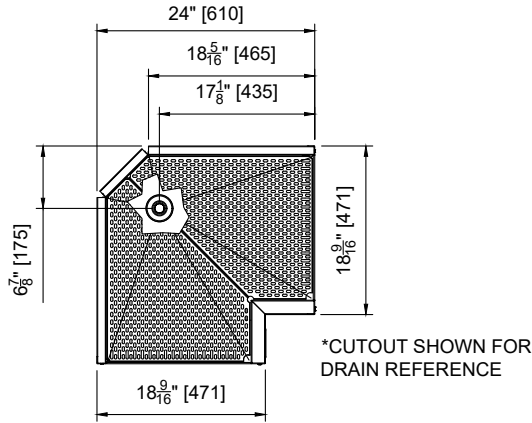




TOP SHELF CORNER DRAINBOARDS
TS & TSF Series Inside Corner Drainboards

MODEL NUMBERS - TS90TC, TSF90TC, TSF90D-I, TS90D-FI, TSF90D-FI

TS90D-FI



TSF90D-FI

