

WOOD GRILLS FOR BBS & PTS SERIES BACK BARS



SINGLE CONTROL GRILL

SEE SHEETS 2 THRU 4 FOR
ASSEMBLY DETAILS

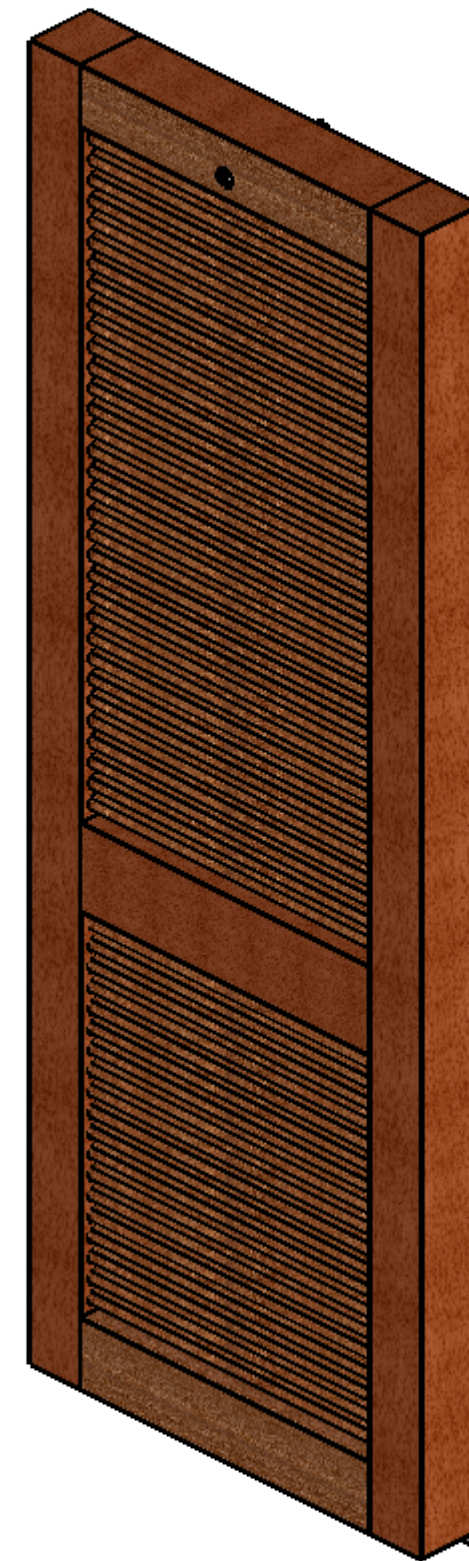
MODELS:
BBS
BBSN
DDC
DDS
SDBS SERIES



DUAL CONTROL GRILL

SEE SHEETS 5 THRU 7 FOR
ASSEMBLY DETAILS

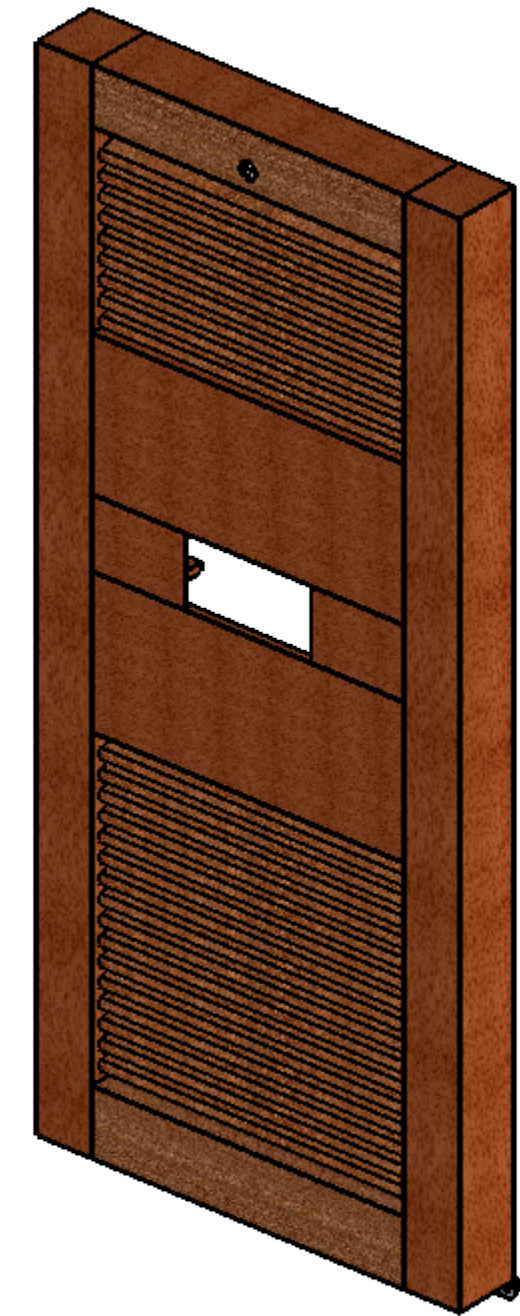
MODEL
DZS60



PASS THROUGH REAR GRILL

SEE SHEETS 8 THRU 10 FOR
ASSEMBLY DETAILS

MODELS:
PTS SERIES
SDPS60



SINGLE CONTROL LOW
HEIGHT GRILL

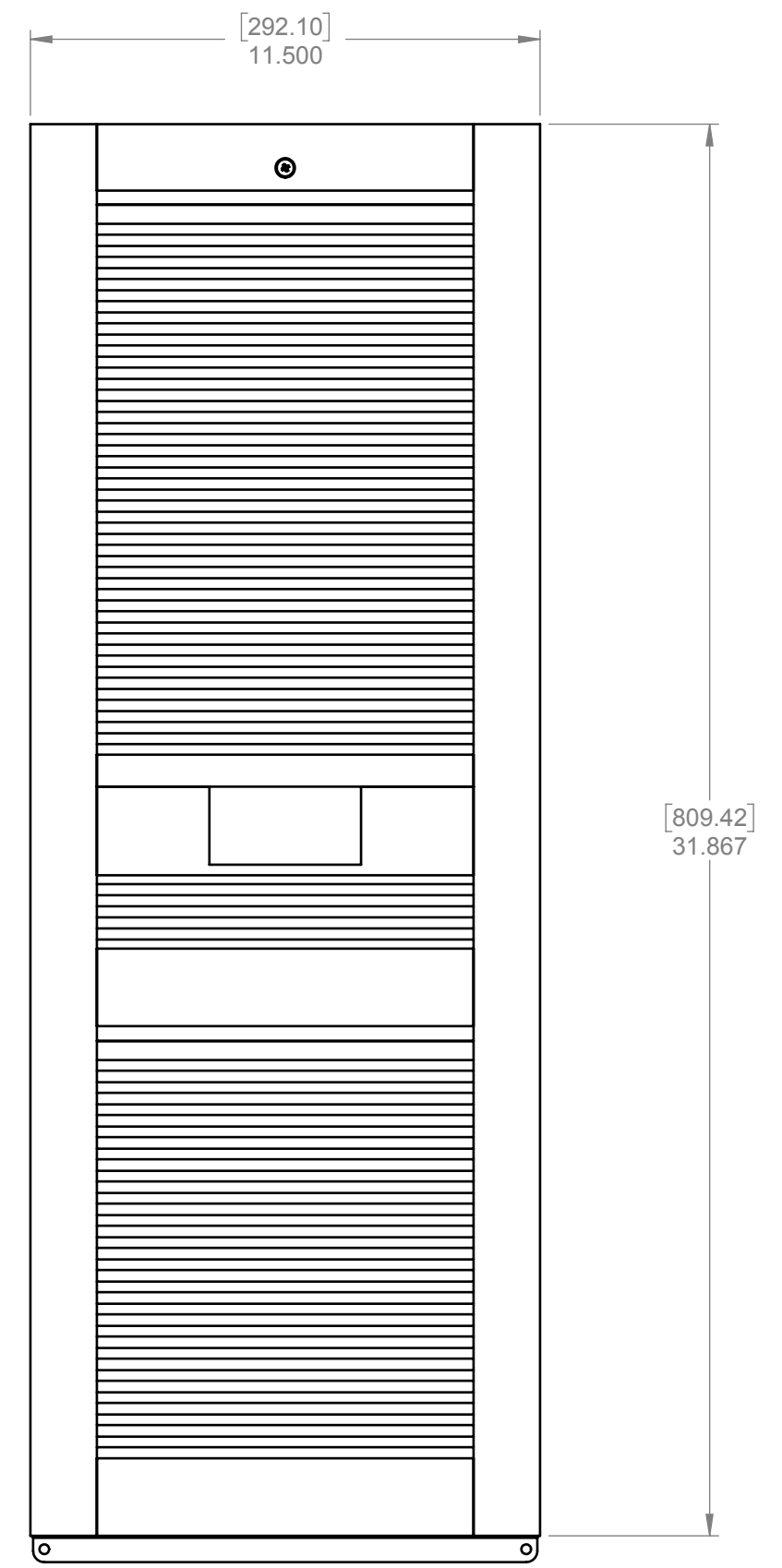
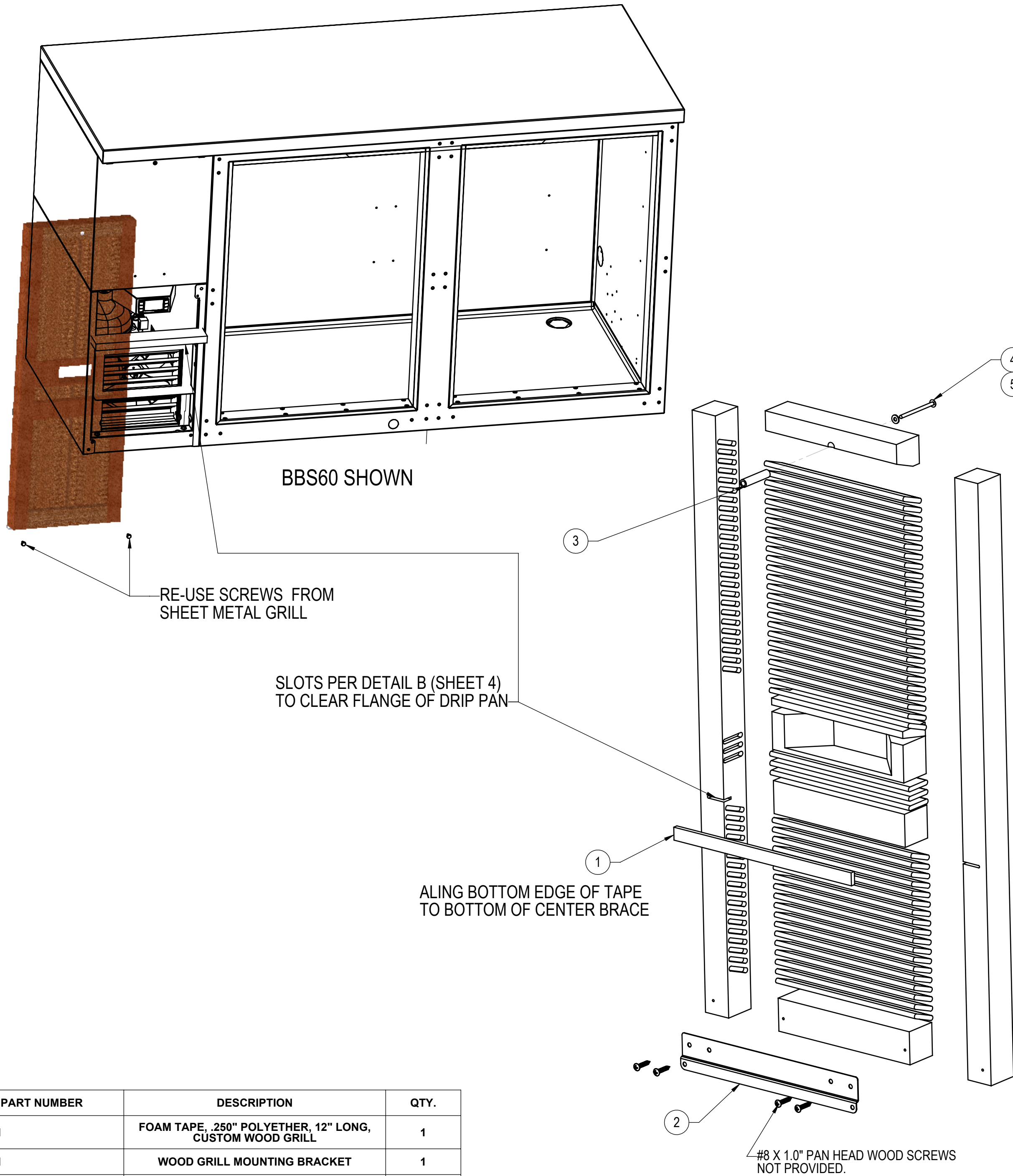
SEE SHEETS 11 THRU 13 FOR
ASSEMBLY DETAILS

MODELS:
LOW HEIGHT

ADDED LOW HEIGHT GRILLE		
D	10/10/2018	KDS
67894-1 WAS 65861-1 67916-1 WAS 63825-12		
C	5/09/2018	KDS
REVISED SINGLE CONTROL GRILL FOR CLEARANCE AROUND CONTROL		
B	9/26/2017	JMP
RELEASE FOR PRODUCTION		
A	7/16/2013	CJT
REVISIONS		

<small>UNLESS OTHERWISE SPECIFIED: DIMENSIONS ARE IN INCHES TOLERANCES: X = ±.1 XX = ±.03 XXX = ±.015 ANGULAR: ±1.5°, FRACTIONS: ±1/64 BREAK SHARP EDGES - .015 X 45° RADIUS SHARP FILLETS - .015 TO .031</small>	SIGNATURES	DATE	Perlick Corporation Milwaukee, Wisconsin TITLE: WOOD GRILL BACK BAR, COMPRESSOR UNIT REFERENCE: PART NO. KIT 67893-1 PURCHASE REC.: SCALE = 1:4 DWG NO. 67893 SHEET 1 OF 13	
	DESIGNED	CJT		7/16/2013
	DRAWN	CJT		7/16/2013
	CHECKED			
MATERIAL:	QTY.:	FINISH:		
<small>THIS DOCUMENT / PUBLICATION / SOFTWARE / DRAWING CONTAINS PROPRIETARY INFORMATION WHICH IS THE PROPERTY OF THE PERLICK CORPORATION. IT MAY NOT BE REPRODUCED OR TRANSMITTED IN ANY FORM, ELECTRONIC OR MECHANICAL, INCLUDING PHOTOCOPIING, RECORDING, OR USED IN ANY INFORMATION STORAGE, TRANSMISSION, OR RETRIEVAL SYSTEM, WITHOUT WRITTEN PERMISSION FROM THE PERLICK CORPORATION. COPYRIGHT 2001 PERLICK CORPORATION. ALL RIGHTS RESERVED.</small>				

FRONT GRILL, WITH SINGLE CONTROL FOR: BBS, BBSN, DDC, DDS, SDBS SERIES



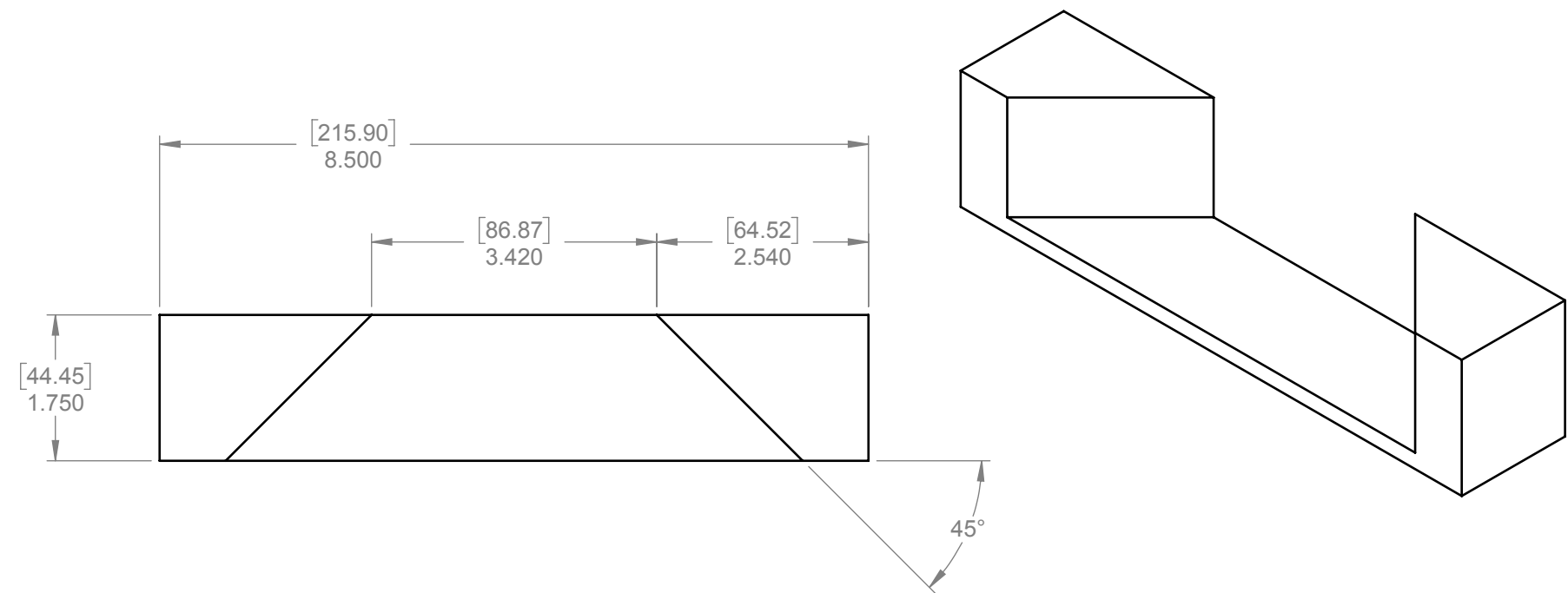
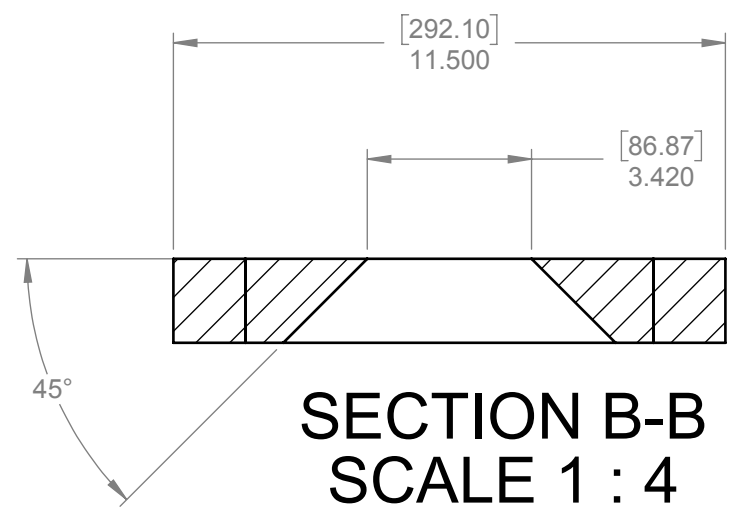
ADDED LOW HEIGHT GRILLE		
D	10/10/2018	KDS
67894-1 WAS 65861-1 67916-1 WAS 63825-12		
C	5/09/2018	KDS
REVISED SINGLE CONTROL GRILL FOR CLEARANCE AROUND CONTROL		
B	9/26/2017	JMP
RELEASED PIN		
A	7/30/2012	LBJ
REVISIONS		

UNLESS OTHERWISE SPECIFIED: DIMENSIONS ARE IN INCHES TOLERANCES: X = ±.1 XX = ±.03 XXX = ±.015 ANGULAR: ±1.5°, FRACTIONS: ±1/64 BREAK SHARP EDGES - .015 X 45° RADIUS SHARP FILLETS - .015 TO .031		SIGNATURES DESIGNED CJT 7/16/2013 DRAWN CJT 8/7/2013 CHECKED 8/7/2013	DATE	Perlick Corporation Milwaukee, Wisconsin TITLE: WOOD GRILL, SINGLE CONTROL ASSEMBLY
MATERIAL: SEE BILL OF MATERIALS	QTY.: FINISH:	REFERENCE: PART NO. KIT 67893-1 PURCHASE REC.: NO	DWG NO. 67893 SCALE = 1:4 SHEET 2 OF 13	
THIS DOCUMENT / PUBLICATION / SOFTWARE / DRAWING CONTAINS PROPRIETARY INFORMATION WHICH IS THE PROPERTY OF THE PERLICK CORPORATION. IT MAY NOT BE REPRODUCED OR TRANSMITTED IN ANY FORM, ELECTRONIC OR MECHANICAL, INCLUDING PHOTOCOPIING, RECORDING, OR USED IN ANY INFORMATION STORAGE, TRANSMISSION, OR RETRIEVAL SYSTEM, WITHOUT WRITTEN PERMISSION FROM THE PERLICK CORPORATION. COPYRIGHT 2001 PERLICK CORPORATION. ALL RIGHTS RESERVED.				

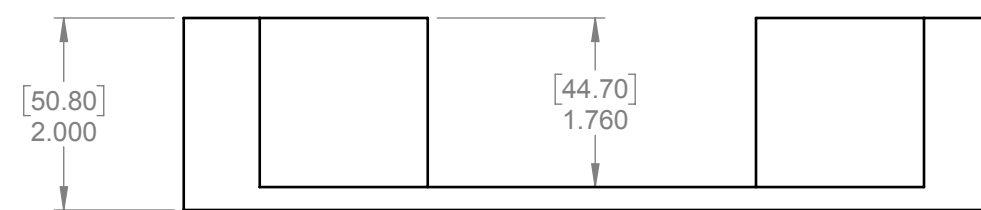
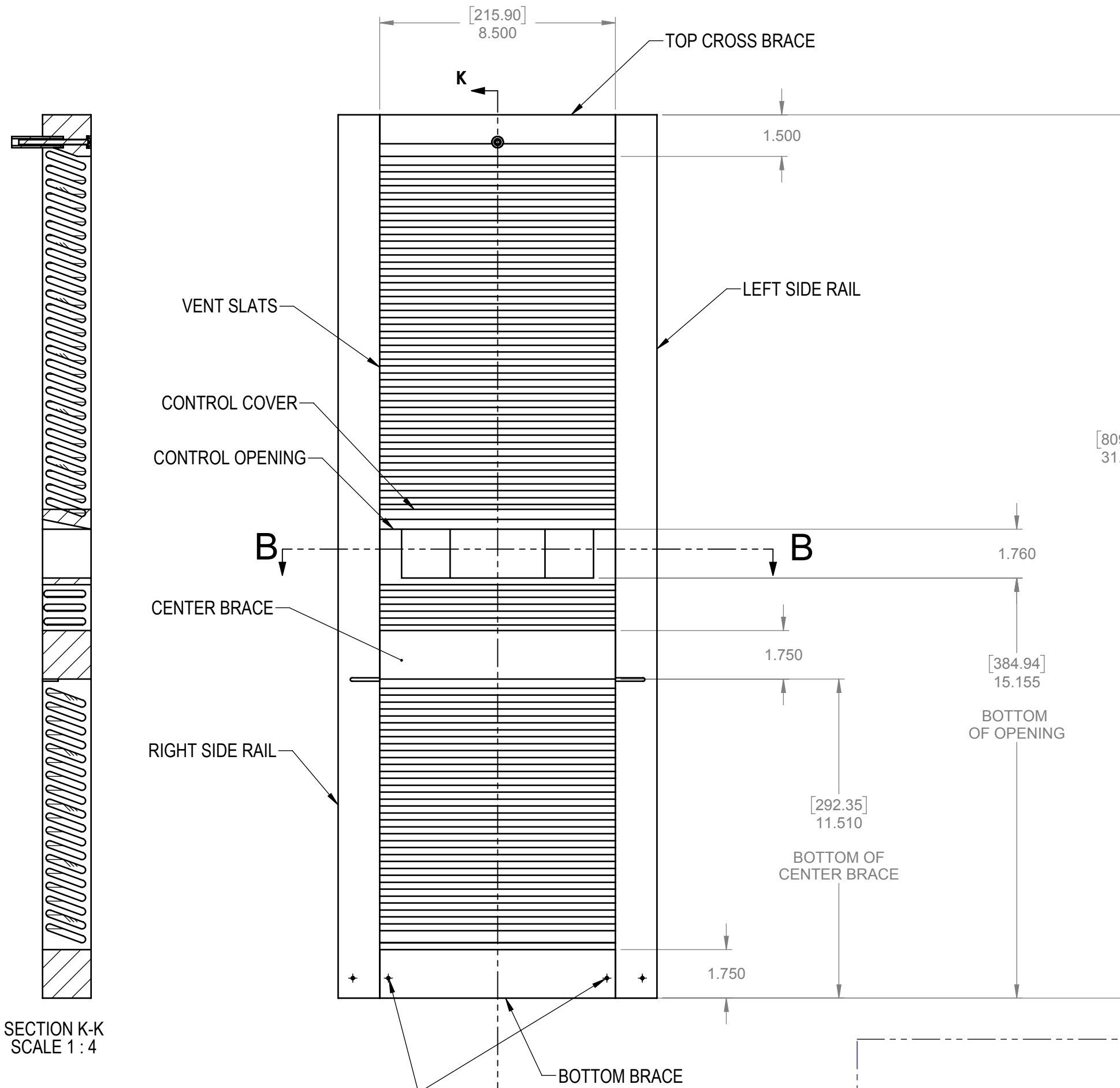
ITEM NO.	PART NUMBER	DESCRIPTION	QTY.
1	67916-1	FOAM TAPE, .250" POLYETHER, 12" LONG, CUSTOM WOOD GRILL	1
2	67894-1	WOOD GRILL MOUNTING BRACKET	1
3	67688-1	Standoff, Grille, Back Bar	1
4	M00502-135	Screw, Machine, #8-32 x 2-1/2" Lg, Phillips Truss Head	1
	M00600-088	WASHER, FLAT, #8, TYPE 302SS	1

REAR VIEW

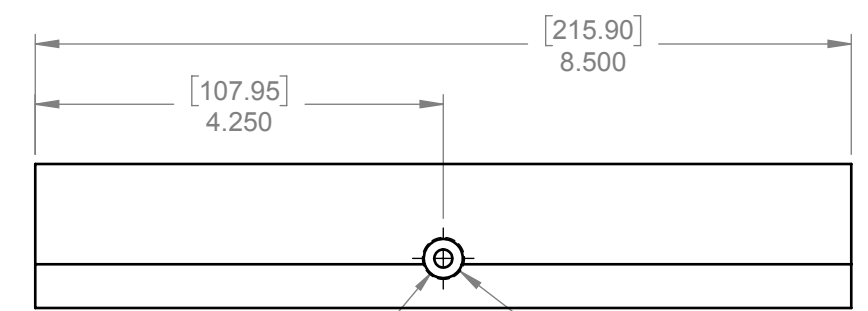
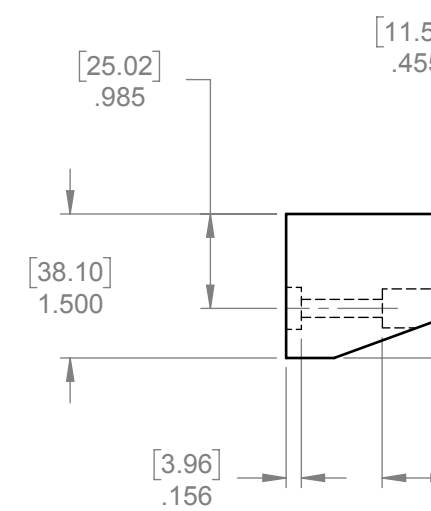
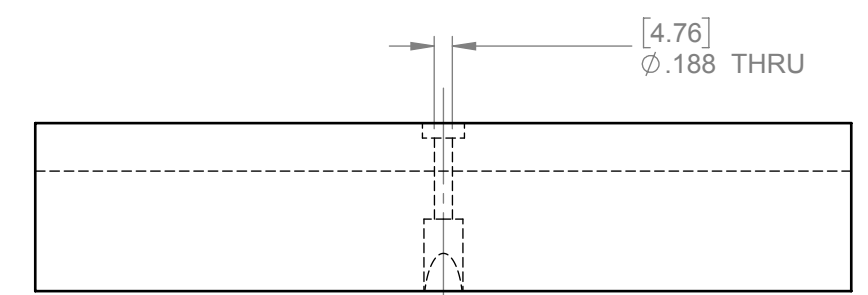
FRONT GRILL, WITH SINGLE CONTROL FOR: BBS, BBSN, DDC, DDS, SDBS SERIES



CONTROL OPENING



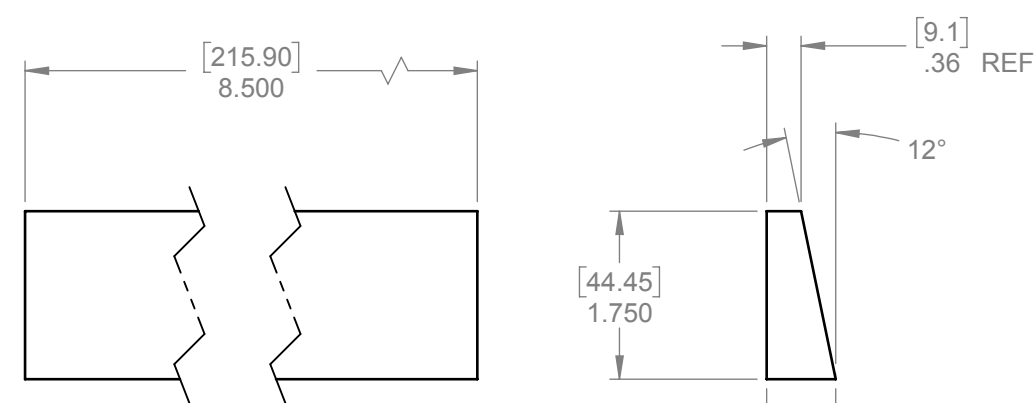
TOP CROSS BRACE



SECTION K-K
SCALE 1 : 4

USE SHEET METAL BRACKET AS TEMPLATE TO DRILL 7/64" X 3/4" DEEP HOLES.

REAR VIEW



CONTROL COVER

ADDED LOW HEIGHT GRILLE		
D	10/10/2018	KDS
67894-1 WAS 65861-1 67916-1 WAS 63825-12		
C	5/09/2018	KDS
REVISED SINGLE CONTROL GRILL FOR CLEARANCE AROUND CONTROL		
B	9/26/2017	JMP
RELEASE FOR PRODUCTION		
A	7/16/2013	CJT
REVISIONS		

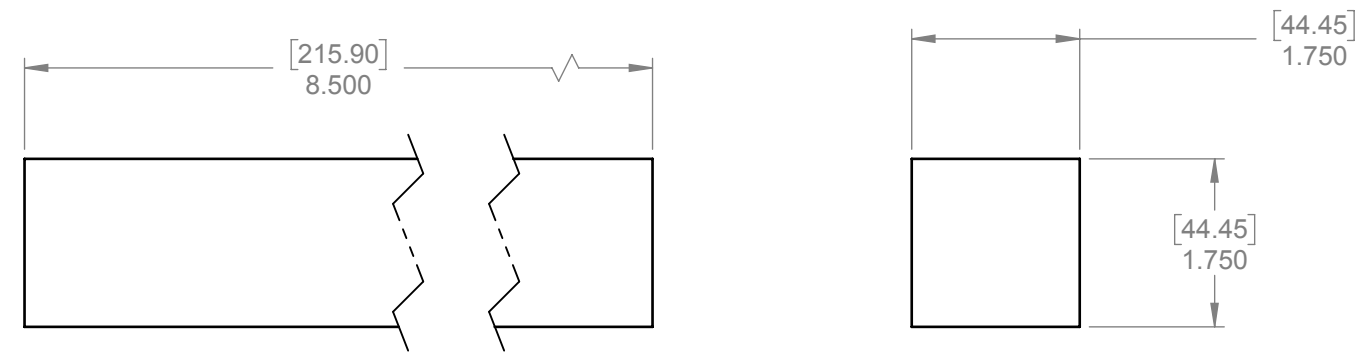
UNLESS OTHERWISE SPECIFIED:		
DIMENSIONS ARE IN INCHES		
TOLERANCES:		
X = ±1		
XX = ±.03		
XXX = ±.015		
ANGULAR: ±1.5°, FRACTIONS: ±1/64		
BREAK SHARP EDGES: .015 X 45°		
RADIUS SHARP FILLETS: .015 TO .031		

SIGNATURES		DATE
DESIGNED	CJT	7/16/2013
DRAWN	CJT	7/16/2013
CHECKED		

Perlick Corporation Milwaukee, Wisconsin		TITLE: WOOD GRILL, SINGLE CONTROL DETAILS
PART NO. KIT 67893-1	DWG NO. 67893	REFERENCE: SCALE = NOTED SHEET 3 OF 13
PURCHASE REC.:		

THIS DOCUMENT / PUBLICATION / SOFTWARE / DRAWING CONTAINS PROPRIETARY INFORMATION WHICH IS THE PROPERTY OF THE PERLICK CORPORATION. IT MAY NOT BE REPRODUCED OR TRANSMITTED IN ANY FORM, ELECTRONIC OR MECHANICAL, INCLUDING PHOTOCOPYING, RECORDING, OR USED IN ANY INFORMATION STORAGE, TRANSMISSION, OR RETRIEVAL SYSTEM, WITHOUT WRITTEN PERMISSION FROM THE PERLICK CORPORATION. COPYRIGHT 2001 PERLICK CORPORATION. ALL RIGHTS RESERVED.

FRONT GRILL, WITH SINGLE CONTROL FOR: BBS, BBSN, DDC, DDS, SDBS SERIES

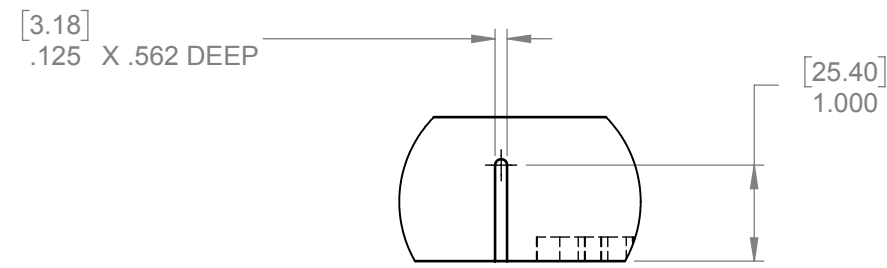


CENTER AND BOTTOM BRACE



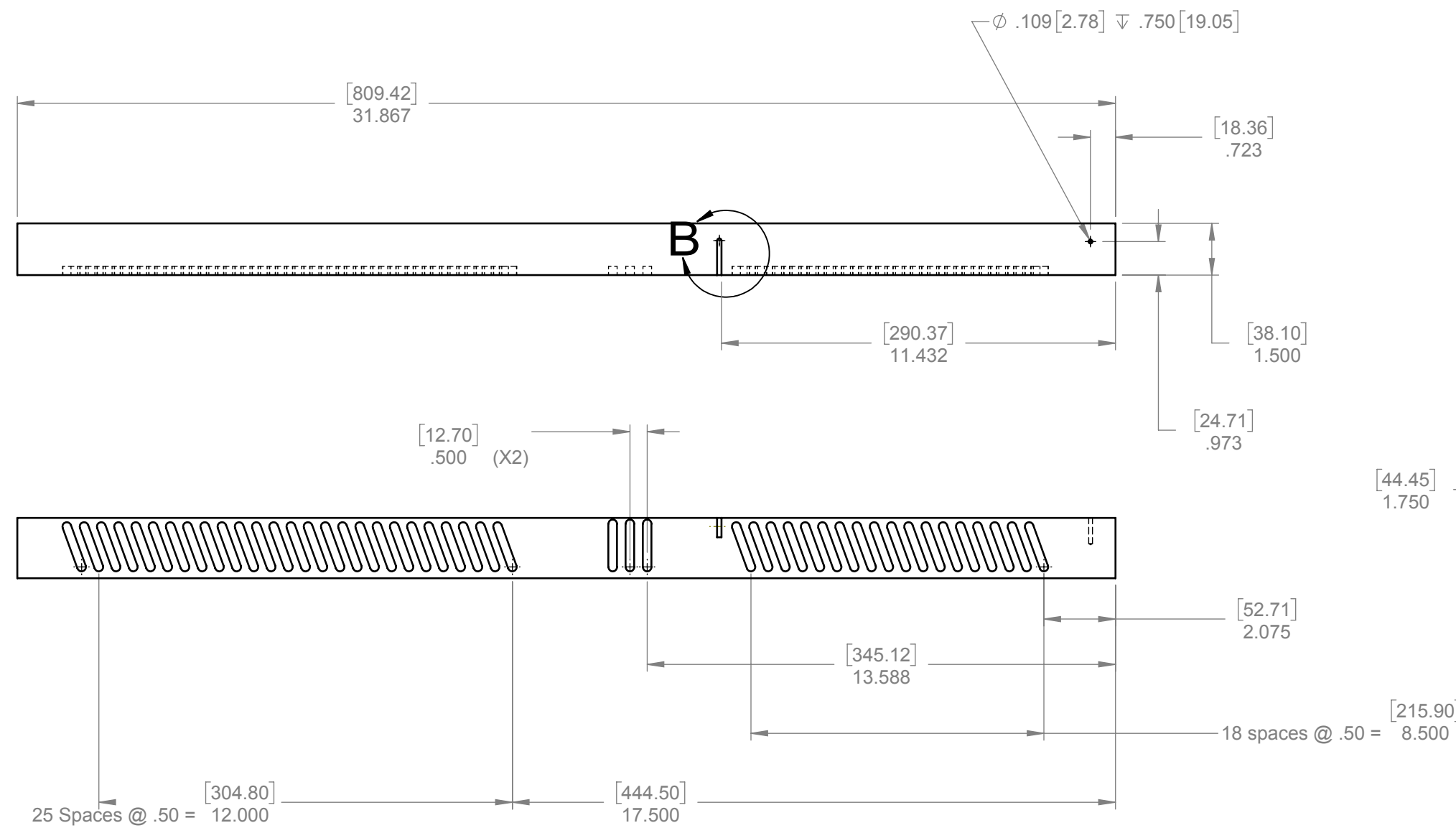
VENT SLATS

47 REQ'D.

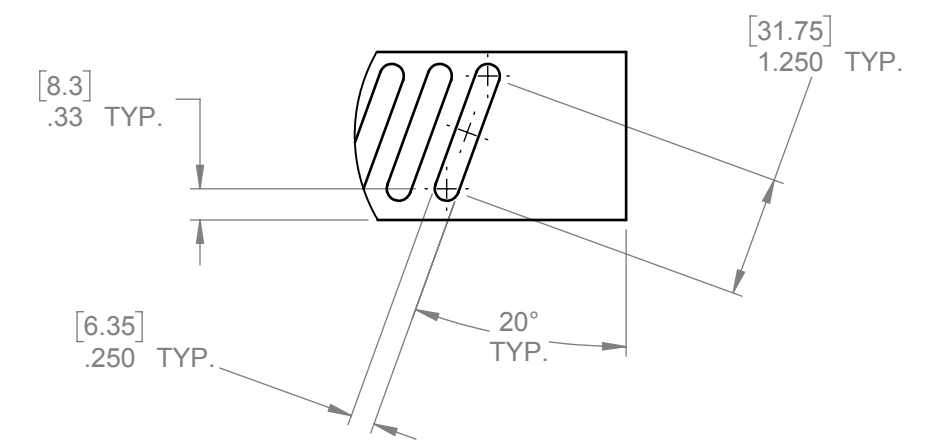


DETAIL B
SCALE 1 : 2

LEFT HAND SIDE RAIL, REAR VIEW

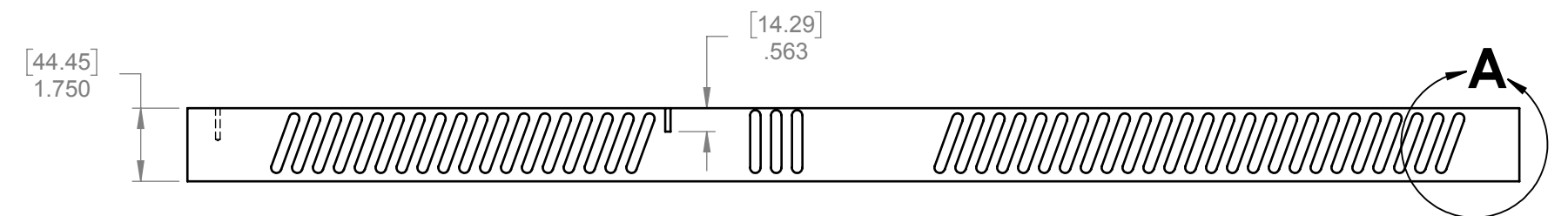


LEFT HAND SIDE RAIL, FOR SINGLE CONTROL GRILL



DETAIL A
SCALE 1 : 2

RIGHT HAND SIDE RAIL, FOR SINGLE CONTROL GRILL

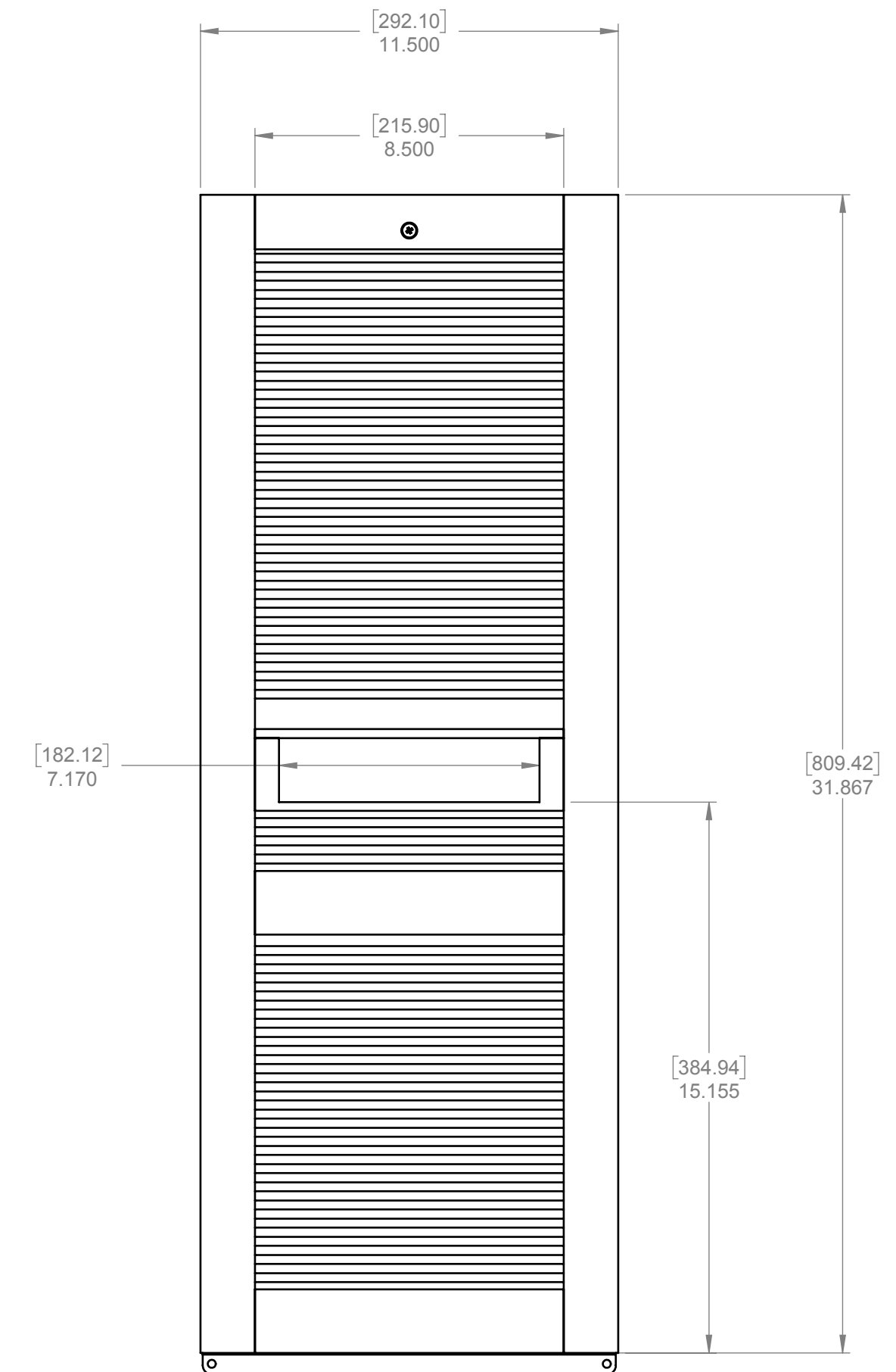
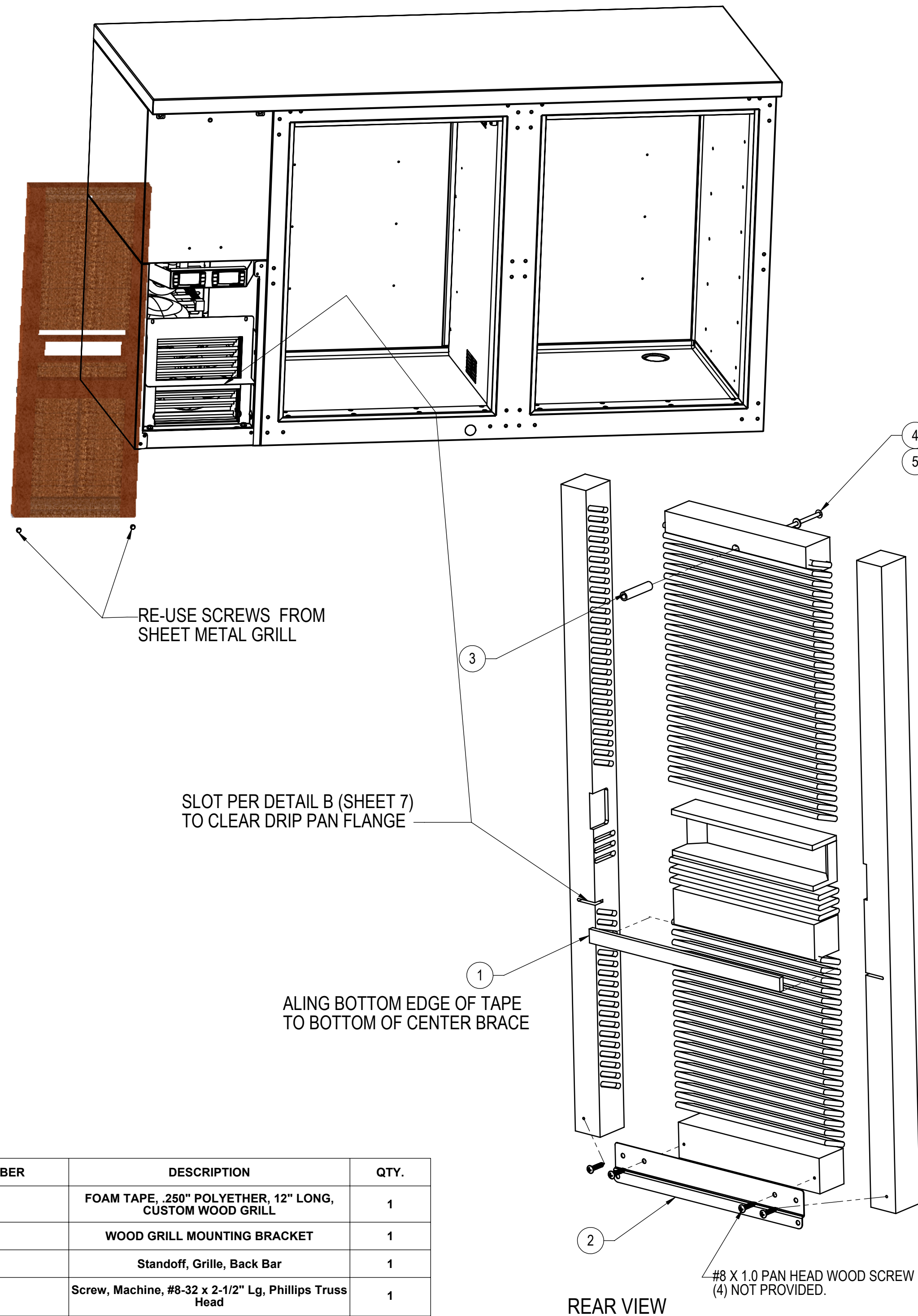


ADDED LOW HEIGHT GRILLE		
D	10/10/2018	KDS
67894-1 WAS 65861-1 67916-1 WAS 63825-12		
C	5/09/2018	KDS
REVISED SINGLE CONTROL GRILL FOR CLEARANCE AROUND CONTROL		
B	9/26/2017	JMP
RELEASED KIT		
A	8/7/2013	CJT
REVISIONS		

UNLESS OTHERWISE SPECIFIED:			SIGNATURES		DATE	Perlick Corporation Milwaukee, Wisconsin TITLE: SIDE RAIL WOOD GRILL
DIMENSIONS ARE IN INCHES			DESIGNED	CJT	7/15/2013	
TOLERANCES:			DRAWN	CJT	7/16/2013	
X = ±.1 XX = ±.03 XXX = ±.015 ANGULAR: ±1.5°, FRACTIONS: ±1/64 BREAK SHARP EDGES - .015 X 45° RADIUS SHARP FILLETS - .015 TO .031			CHECKED			
MATERIAL:			QTY.:			REFERENCE:
CUSTOMER SPECIFIED			FINISH:			PART NO.
WOOD SPECIES						KIT 67893-1
						DWG NO.
						67893
						PURCHASE REC.:
						SCALE = 1:4
						SHEET 4 OF 13

THIS DOCUMENT / PUBLICATION / SOFTWARE / DRAWING CONTAINS PROPRIETARY INFORMATION WHICH IS THE PROPERTY OF THE PERLICK CORPORATION. IT MAY NOT BE REPRODUCED OR TRANSMITTED IN ANY FORM, ELECTRONIC OR MECHANICAL, INCLUDING PHOTOCOPYING, RECORDING, OR USED IN ANY INFORMATION STORAGE, TRANSMISSION, OR RETRIEVAL SYSTEM, WITHOUT WRITTEN PERMISSION FROM THE PERLICK CORPORATION. COPYRIGHT 2001 PERLICK CORPORATION. ALL RIGHTS RESERVED.

FRONT GRILL WITH DUAL CONTROLS FOR DZS60 BACK BAR

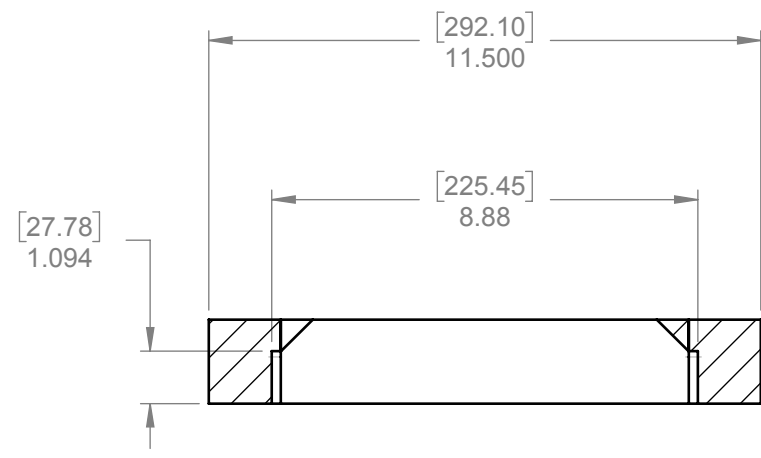


ADDED LOW HEIGHT GRILLE		
D	10/10/2018	KDS
67894-1 WAS 65861-1 67916-1 WAS 63825-12		
C	5/09/2018	KDS
REVISED SINGLE CONTROL GRILL FOR CLEARANCE AROUND CONTROL		
B	9/26/2017	JMP
RELEASE FOR PRODUCTION		
A	8/7/2013	CJT
REVISIONS		

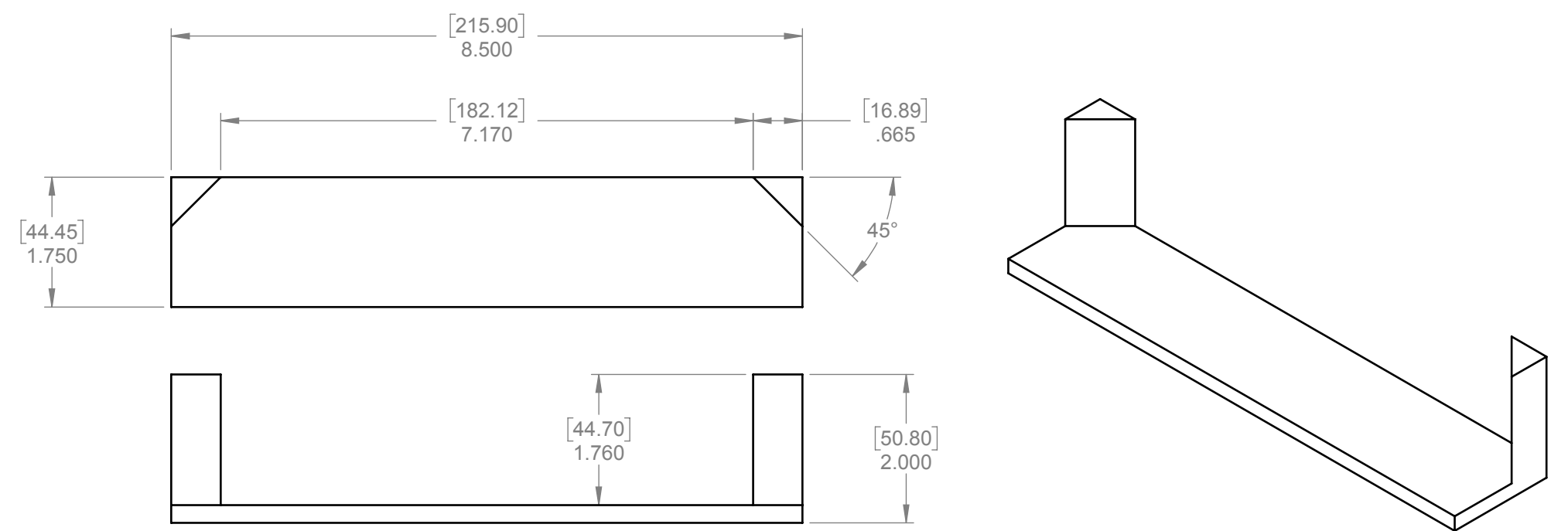
ITEM NO.	PART NUMBER	DESCRIPTION	QTY.
1	67916-1	FOAM TAPE, .250" POLYETHER, 12" LONG, CUSTOM WOOD GRILL	1
2	67894-1	WOOD GRILL MOUNTING BRACKET	1
3	67688-1	Standoff, Grille, Back Bar	1
4	M00502-135	Screw, Machine, #8-32 x 2-1/2" Lg, Phillips Truss Head	1
	M00600-088	WASHER, FLAT, #8 TYPE 302SS	1

UNLESS OTHERWISE SPECIFIED: DIMENSIONS ARE IN INCHES (MM) TOLERANCES: X = ±.1 XX = ±.03 XXX = ±.015 ANGULAR: ±1.5°, FRACTIONS: ±1/64 BREAK SHARP EDGES - .015 X 45° RADIUS SHARP FILLETS - .015 TO .031		SIGNATURES	DATE	Perlick Corporation Milwaukee, Wisconsin TITLE: WOOD GRILL, DUAL ZONE ASSEMBLY REFERENCE: PART NO. KIT 67893-1 DWG NO. 67893 PURCHASE REC.: SCALE = 1:12 SHEET 5 OF 13
MATERIAL: SEE BILL OF MATERIAL	QTY.:	DESIGNED CJT 7/16/2013	7/16/2013	
	FINISH:	DRAWN CJT 7/16/2013	CHECKED	

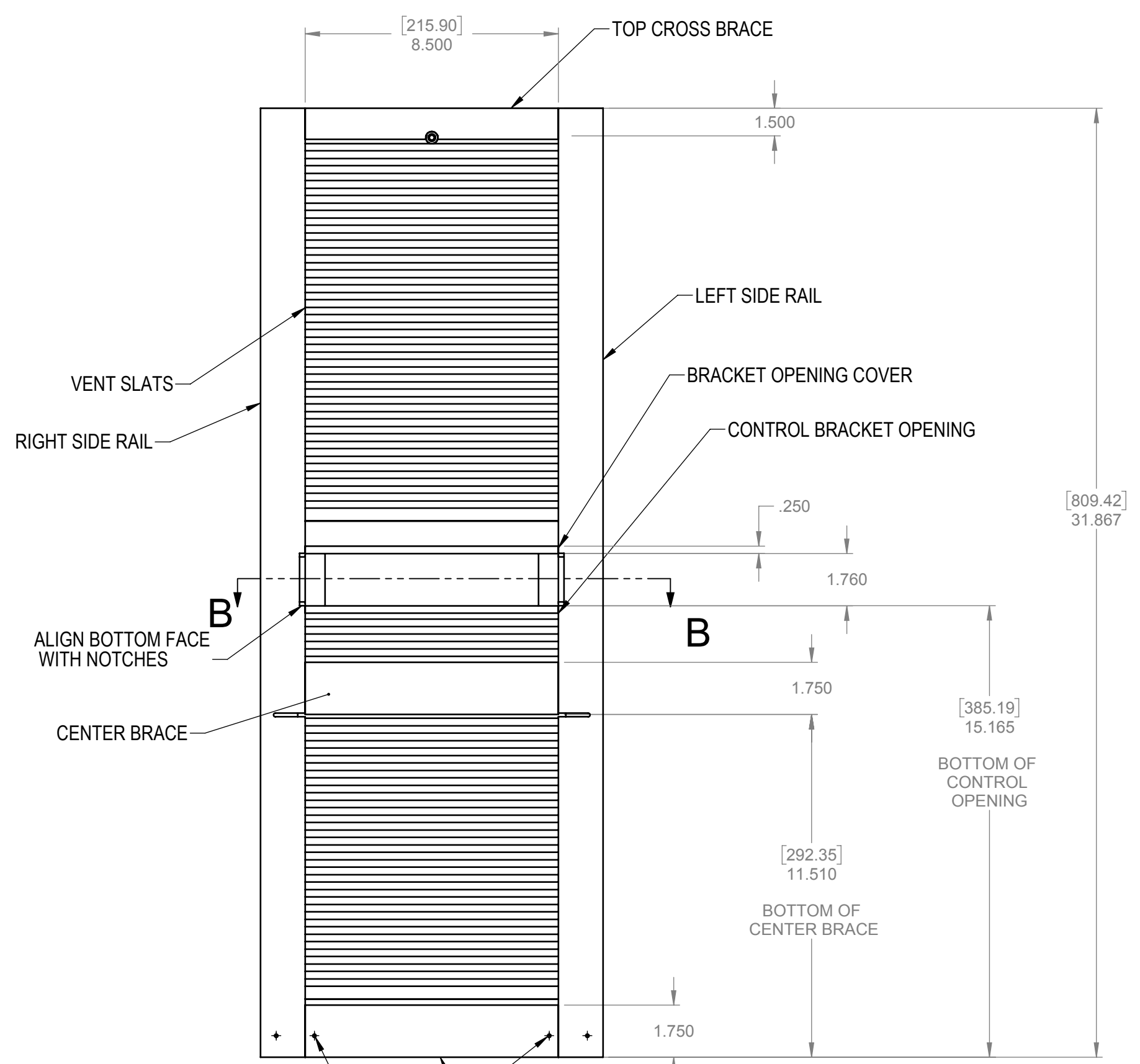
FRONT GRILL WITH DUAL CONTROLS FOR DZS60 BACK BAR



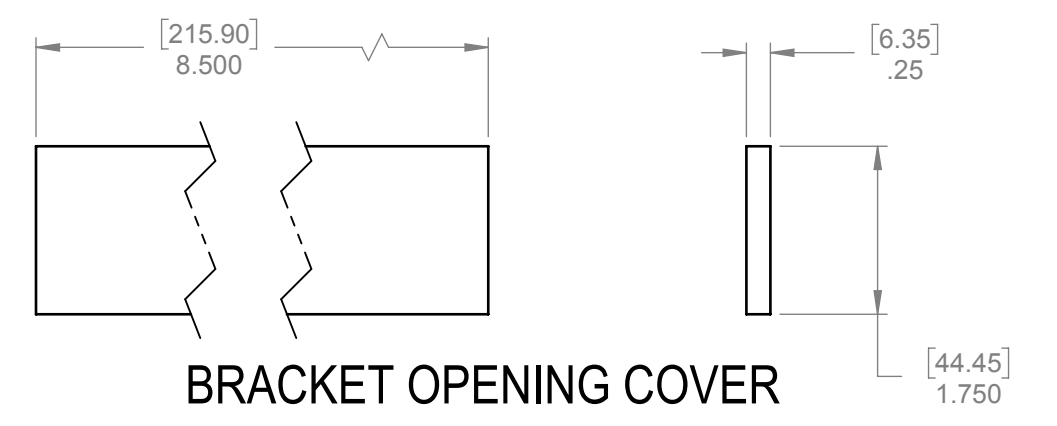
SECTION B-B



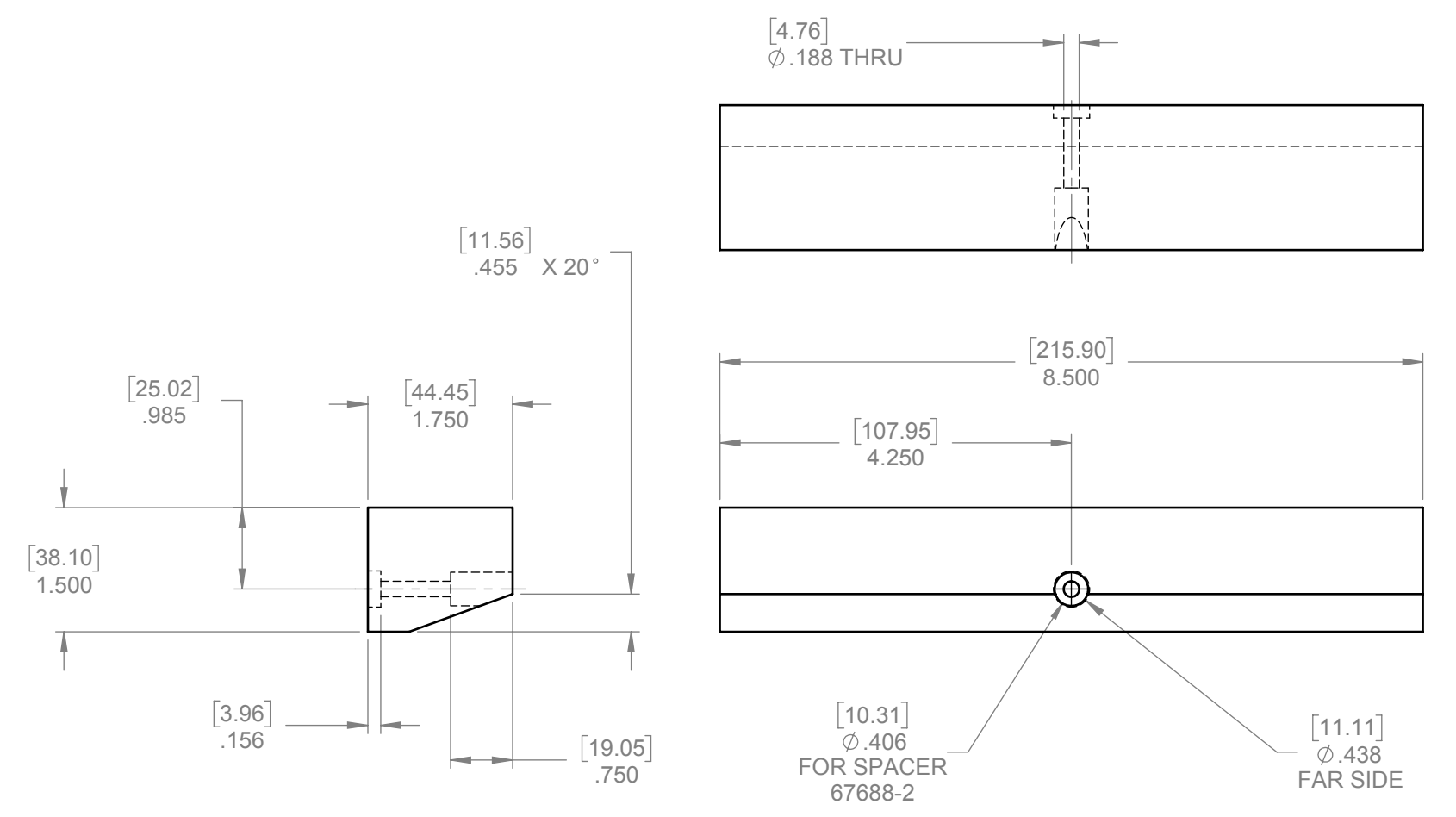
CONTROL BRACKET OPENING



REAR VIEW



BRACKET OPENING COVER



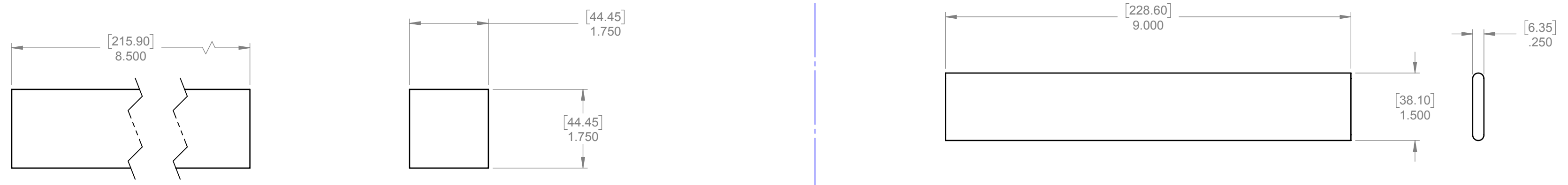
TOP CROSS BRACE

USE SHEET METAL BRACKET AS TEMPLATE TO DRILL 7/64" X 3/4" DEEP HOLES.

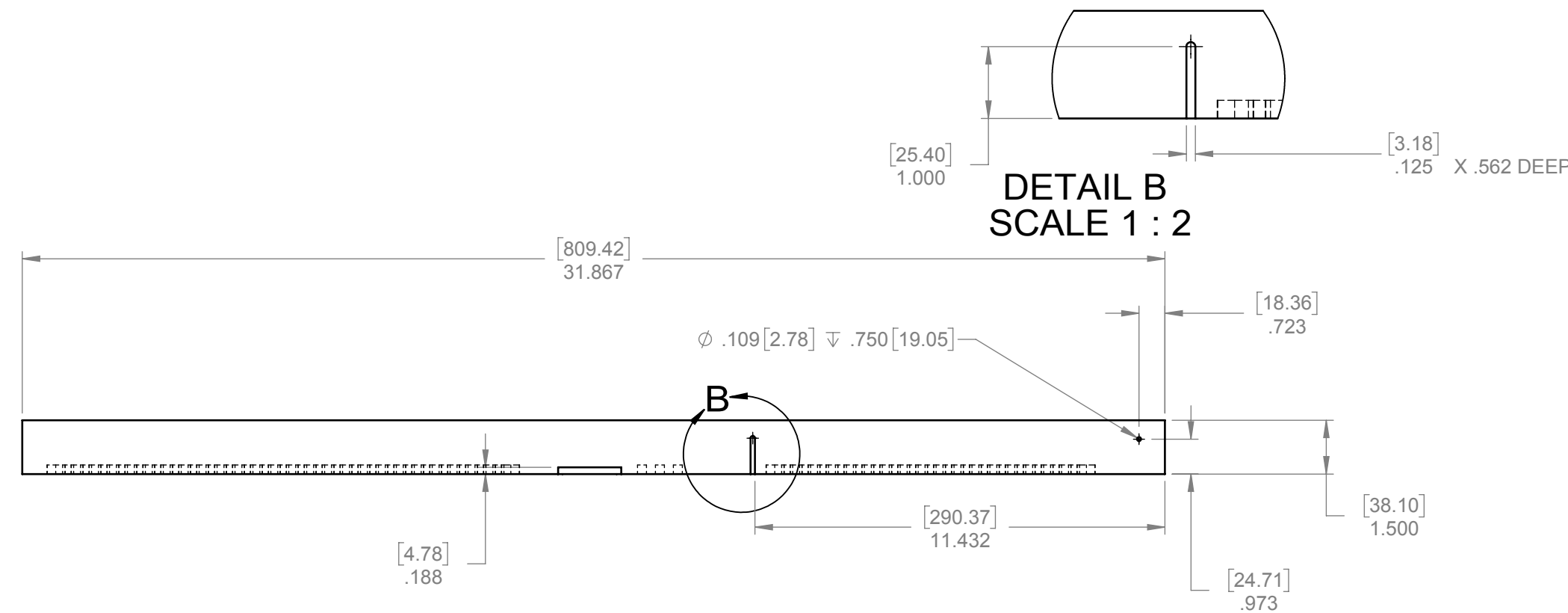
UNLESS OTHERWISE SPECIFIED: DIMENSIONS ARE IN INCHES TOLERANCES: X = ±1 XX = ±0.03 XXX = ±0.015 ANGULAR: ±1.5°, FRACTIONS: ±1/64 BREAK SHARP EDGES - .015 X 45° RADIUS SHARP FILLETS - .015 TO .031		SIGNATURES DESIGNED CJT DRAWN CJT CHECKED	DATE 7/16/2013 7/16/2013	Perlick Corporation Milwaukee, Wisconsin TITLE: WOOD GRILL DETAILS DUAL ZONE
MATERIAL:	QTY.:	FINISH:	REFERENCE: PART NO. KIT 67893-1 DWG NO. 67893	
PURCHASE REC.:			SCALE = 1:4	SHEET 6 OF 13

ADDED LOW HEIGHT GRILLE		
D	10/10/2018	KDS
67894-1 WAS 65861-1 67916-1 WAS 63825-12		
C	5/09/2018	KDS
REVISED SINGLE CONTROL GRILL FOR CLEARANCE AROUND CONTROL		
B	9/26/2017	JMP
RELEASED KIT		
A	8/7/2013	CJT
REVISIONS		

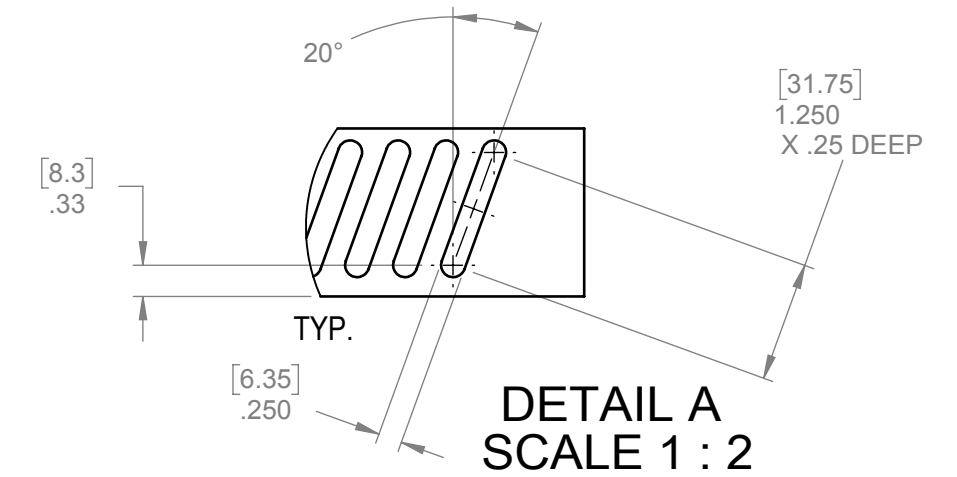
FRONT GRILL WITH DUAL CONTROLS FOR DZS60 BACK BAR



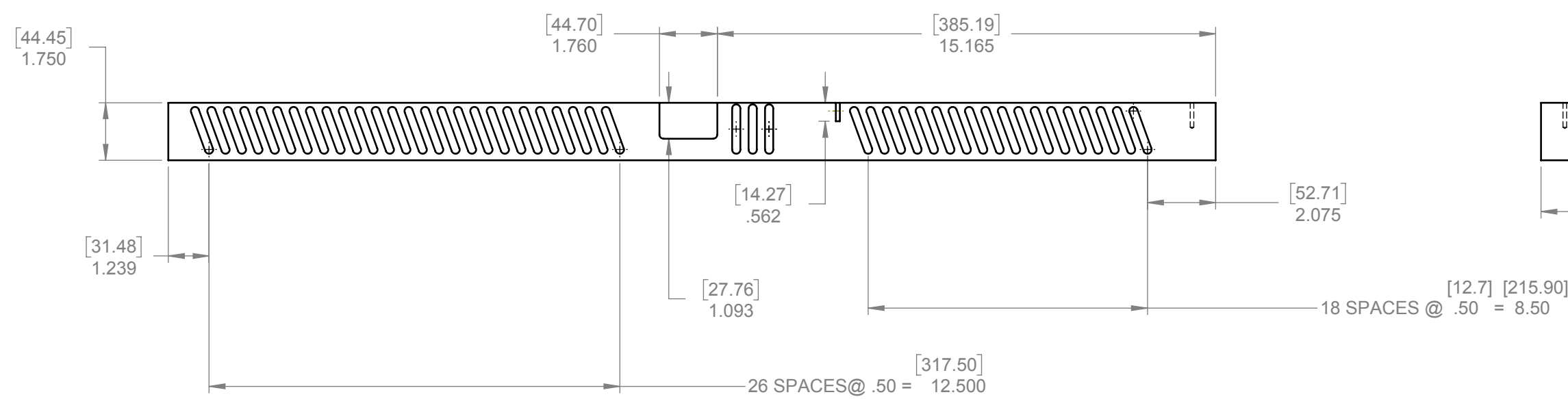
CENTER AND BOTTOM BRACE



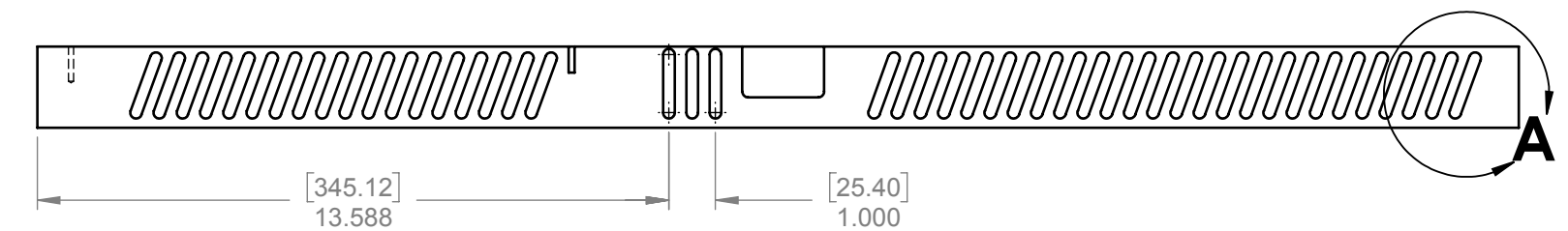
DETAIL B
SCALE 1 : 2



DETAIL A
SCALE 1 : 2



LEFT HAND SIDE RAIL



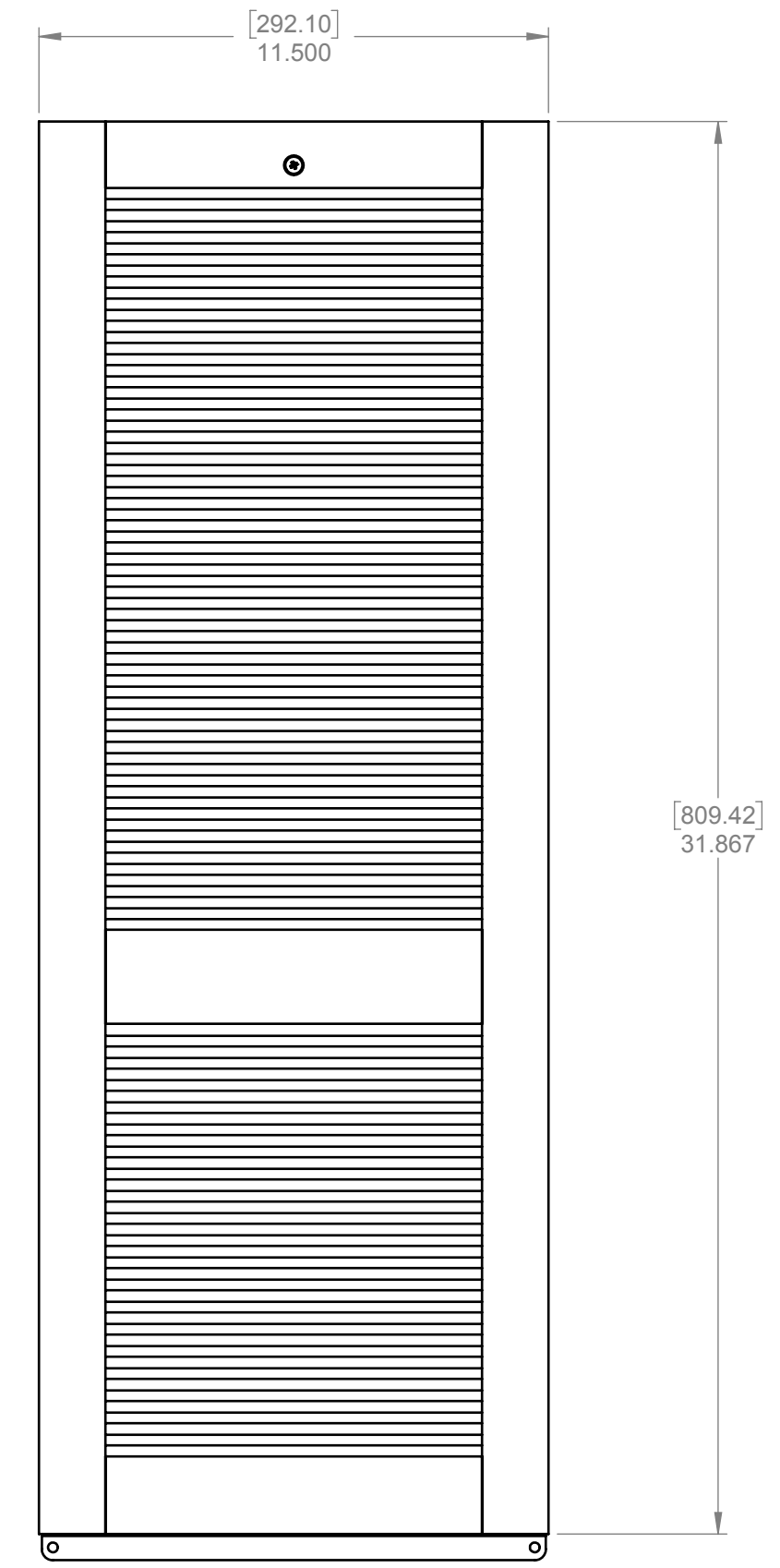
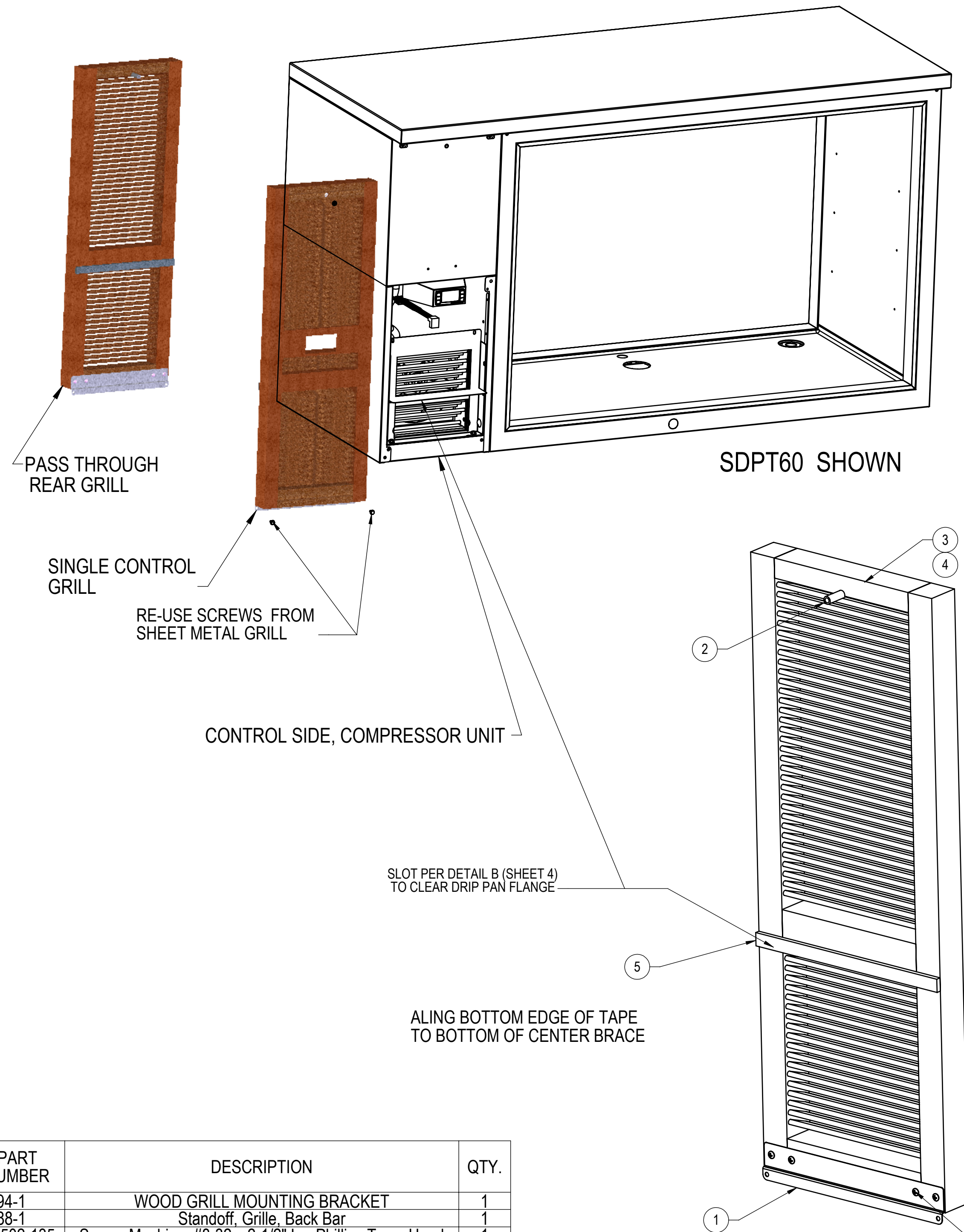
RIGHT HAND SIDE RAIL

ADDED LOW HEIGHT GRILLE		
D	10/10/2018	KDS
67894-1 WAS 65861-1 67916-1 WAS 63825-12		
C	5/09/2018	KDS
REVISED SINGLE CONTROL GRILL FOR CLEARANCE AROUND CONTROL		
B	9/26/2017	JMP
RELEASED KIT		
A	8/7/2013	CJT
REVISIONS		

UNLESS OTHERWISE SPECIFIED:		SIGNATURES		DATE	Perlick Corporation Milwaukee, Wisconsin
DIMENSIONS ARE IN INCHES (MM)		DESIGNED	CJT	7/15/2013	
TOLERANCES: X = ±1 XX = ±0.03 XXX = ±0.015 ANGULAR: ±1.5°, FRACTIONS: ±1/64 BREAK SHARP EDGES - 015 X 45° RADIUS SHARP FILLETS - 015 TO 031		DRAWN	CJT	7/16/2013	REFERENCE: PART NO. KIT 67893-1
MATERIAL:		CHECKED			DWG NO. 67893
FINISH:		QTY.:			PURCHASE REC.:
					SCALE = 1:4 SHEET 7 OF 13

THIS DOCUMENT / PUBLICATION / SOFTWARE / DRAWING CONTAINS PROPRIETARY INFORMATION WHICH IS THE PROPERTY OF THE PERLICK CORPORATION. IT MAY NOT BE REPRODUCED OR TRANSMITTED IN ANY FORM, ELECTRONIC OR MECHANICAL, INCLUDING PHOTOCOPIING, RECORDING, OR USED IN ANY INFORMATION STORAGE, TRANSMISSION, OR RETRIEVAL SYSTEM, WITHOUT WRITTEN PERMISSION FROM THE PERLICK CORPORATION. COPYRIGHT 2001 PERLICK CORPORATION. ALL RIGHTS RESERVED.

MODEL NUMBERS: PTS SERIES SDPT SERIES



PASS THROUGH REAR GRILL
FOR GRILL DETAILS SEE SHEETS 3 & 4

FOR SINGLE CONTROL GRILL DETAILS SEE SHEETS 5 THRU 7

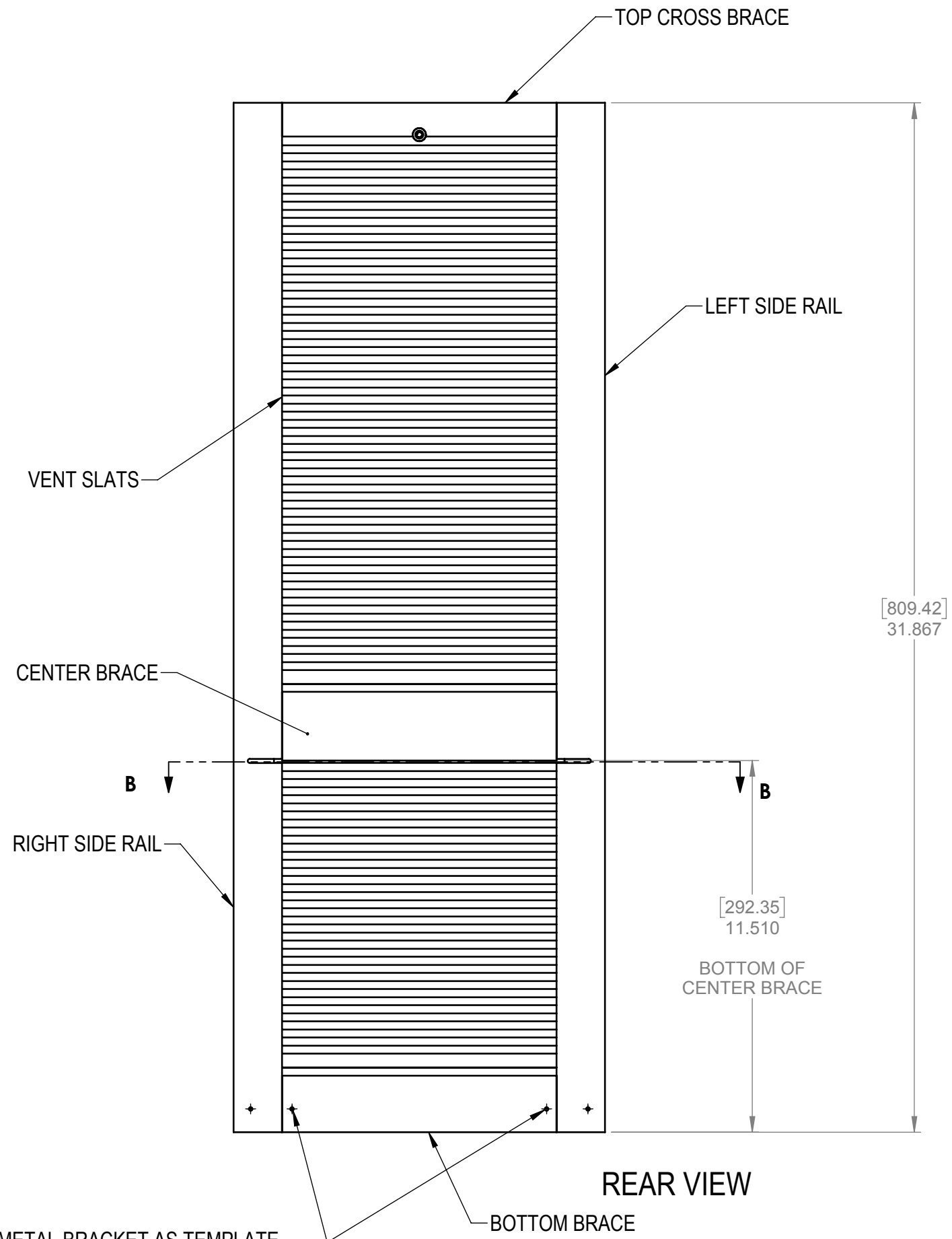
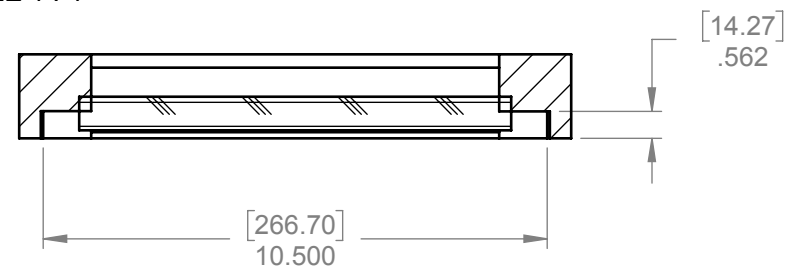
ADDED LOW HEIGHT GRILLE		
D	10/10/2018	KDS
67894-1 WAS 65861-1 67916-1 WAS 63825-12		
C	5/09/2018	KDS
REVISED SINGLE CONTROL GRILL FOR CLEARANCE AROUND CONTROL		
B	9/26/2017	JMP
RELEASED PIN		
A	8/7/2013	CJT
REVISIONS		

ITEM NO.	PART NUMBER	DESCRIPTION	QTY.
1	67894-1	WOOD GRILL MOUNTING BRACKET	1
2	67688-1	Standoff, Grille, Back Bar	1
3	M00502-135	Screw, Machine, #8-32 x 2-1/2" Lg, Phillips Truss Head	1
4	M00600-080	WASHER, FLAT, #8, TYPE 302SS	1
5	67916-1	FOAM TAPE (12.0")	1

REAR VIEW

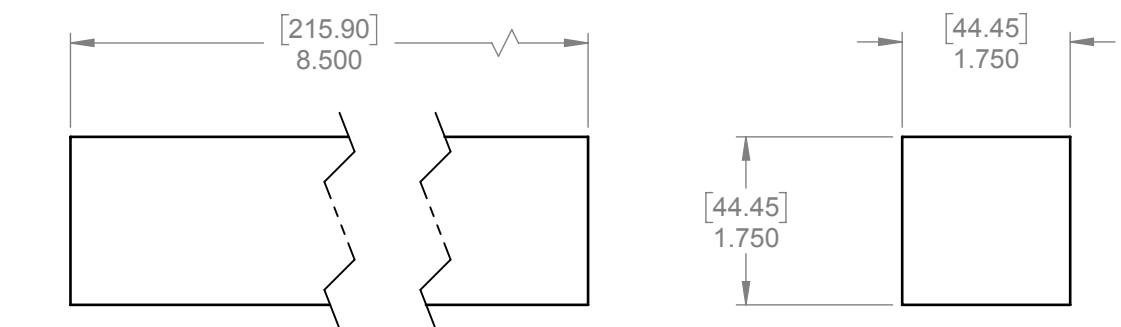
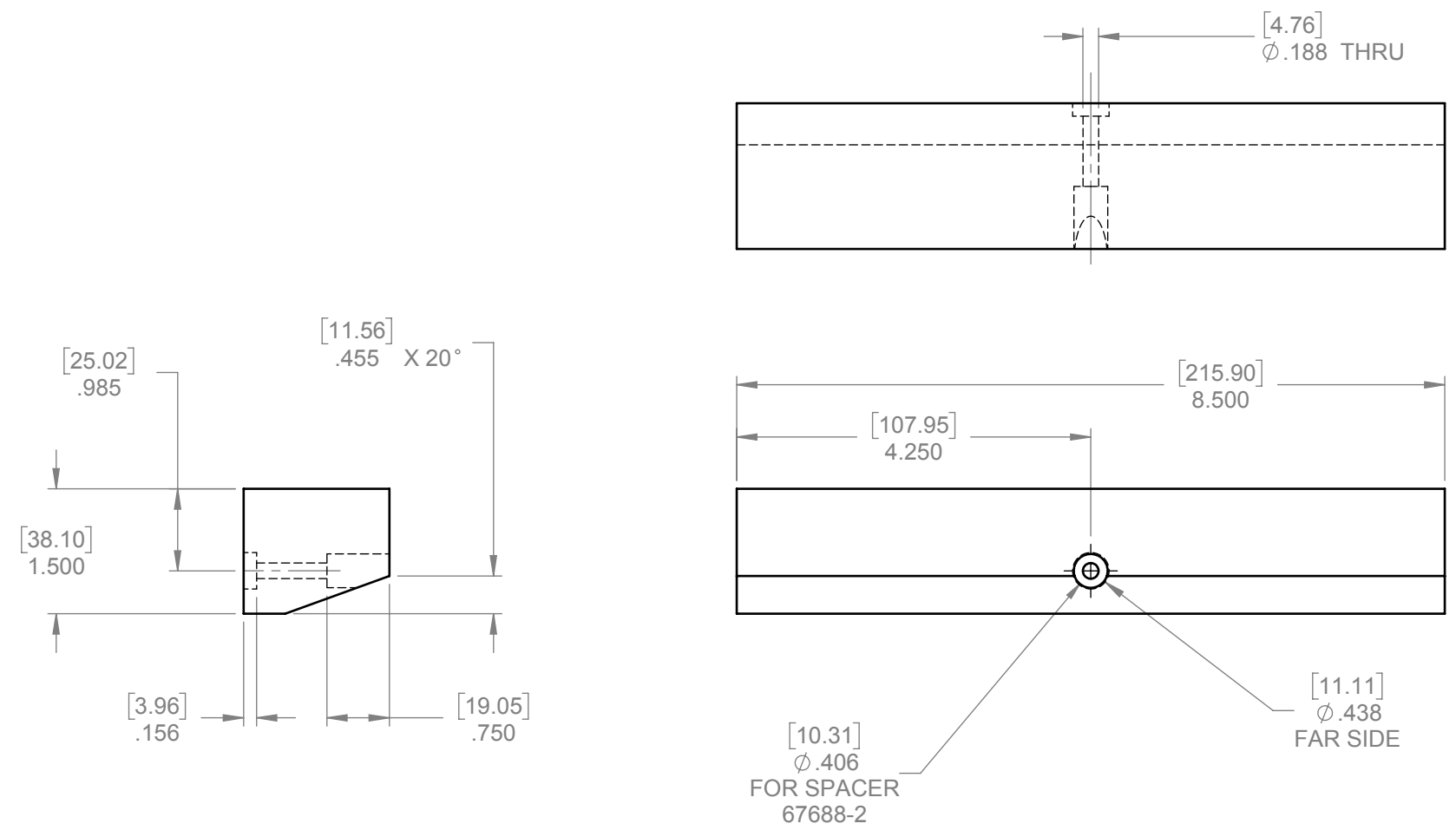
UNLESS OTHERWISE SPECIFIED: DIMENSIONS ARE IN INCHES TOLERANCES: X = ±.1 XX = ±.03 XXX = ±.015 ANGULAR: ±1.5°, FRACTIONS: ±1/64 BREAK SHARP EDGES - .015 X 45° RADIUS SHARP FILLETS - .015 TO .031		SIGNATURES DESIGNED CJT 7/16/2013 DRAWN CJT 7/16/2013 CHECKED 8/6/2013	DATE	Perlick Corporation Milwaukee, Wisconsin TITLE: WOOD GRILL, PASS THROUGH SET-UP	
MATERIAL:	QTY.:	FINISH:	REFERENCE: PART NO. KIT 67893-1 PURCHASE REC.:		
<small>THIS DOCUMENT / PUBLICATION / SOFTWARE / DRAWING CONTAINS PROPRIETARY INFORMATION WHICH IS THE PROPERTY OF THE PERLICK CORPORATION. IT MAY NOT BE REPRODUCED OR TRANSMITTED IN ANY FORM, ELECTRONIC OR MECHANICAL, INCLUDING PHOTOCOPIING, RECORDING, OR USED IN ANY INFORMATION STORAGE, TRANSMISSION, OR RETRIEVAL SYSTEM, WITHOUT WRITTEN PERMISSION FROM THE PERLICK CORPORATION. COPYRIGHT 2001 PERLICK CORPORATION. ALL RIGHTS RESERVED.</small>					

SECTION B-B
SCALE 1:4

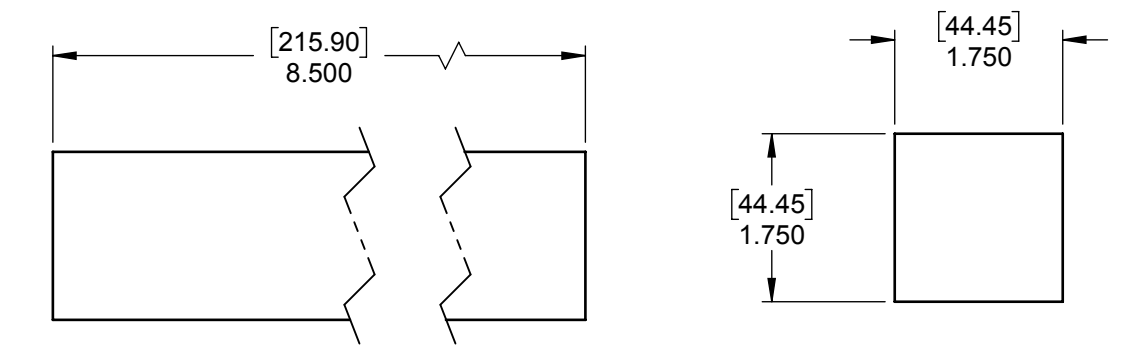


USE SHEET METAL BRACKET AS TEMPLATE TO DRILL 7/64" X 3/4" DEEP HOLES.

TOP CROSS BRACE



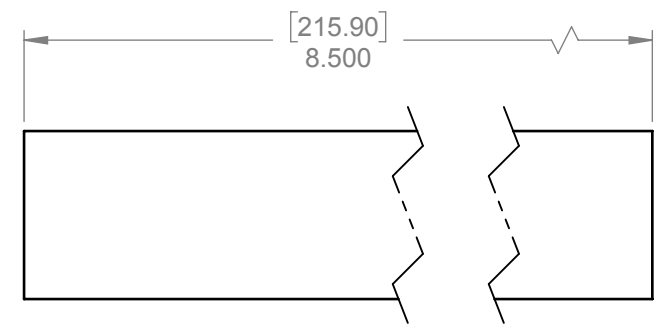
BOTTOM BRACE



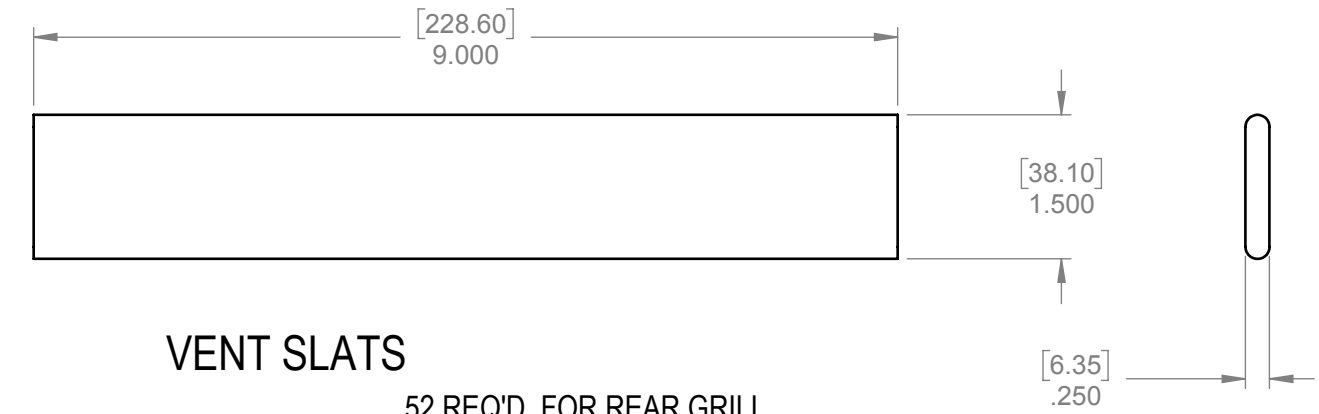
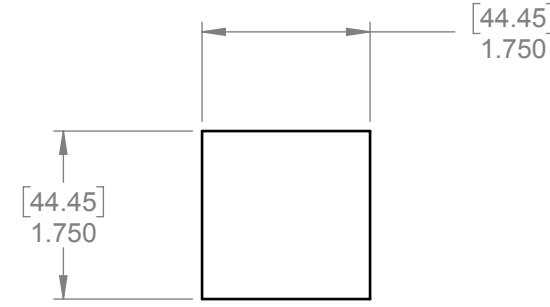
CENTER BRACE

ADDED LOW HEIGHT GRILLE		
D	10/10/2018	KDS
67894-1 WAS 65861-1 67916-1 WAS 63825-12		
C	5/09/2018	KDS
REVISED SINGLE CONTROL GRILL FOR CLEARANCE AROUND CONTROL		
B	9/26/2017	JMP
RELEASED KIT		
A	8/7/2013	CJT
REVISIONS		

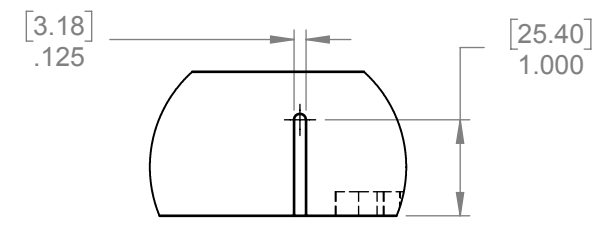
UNLESS OTHERWISE SPECIFIED:		SIGNATURES		DATE	Perlick Corporation Milwaukee, Wisconsin	
DIMENSIONS ARE IN INCHES		DESIGNED	CJT	7/16/2013	TITLE: WOOD GRILL, REAR PASS THROUGH DETAILS	
TOLERANCES: X = ±.1 XX = ±.03 XXX = ±.015 ANGULAR: ±1.5°, FRACTIONS: ±1/64 BREAK SHARP EDGES: .015 X 45° RADIUS SHARP FILLETS: .015 TO .031		DRAWN	CJT	7/16/2013	REFERENCE: PART NO. SEE SHEET 1	DWG NO. 67893
MATERIAL:		CHECKED			PURCHASE REC.:	SCALE = 1:16 SHEET 9 OF 13
		QTY.:				
		FINISH:				
THIS DOCUMENT / PUBLICATION / SOFTWARE / DRAWING CONTAINS PROPRIETARY INFORMATION WHICH IS THE PROPERTY OF THE PERLICK CORPORATION. IT MAY NOT BE REPRODUCED OR TRANSMITTED IN ANY FORM, ELECTRONIC OR MECHANICAL, INCLUDING PHOTOCOPIING, RECORDING, OR USED IN ANY INFORMATION STORAGE, TRANSMISSION, OR RETRIEVAL SYSTEM, WITHOUT WRITTEN PERMISSION FROM THE PERLICK CORPORATION. COPYRIGHT 2001 PERLICK CORPORATION. ALL RIGHTS RESERVED.						



CENTER AND BOTTOM BRACE

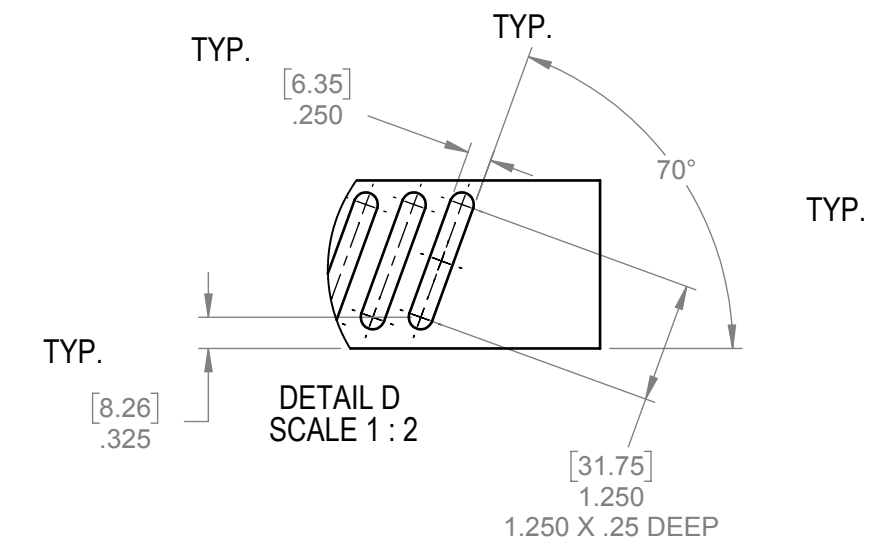
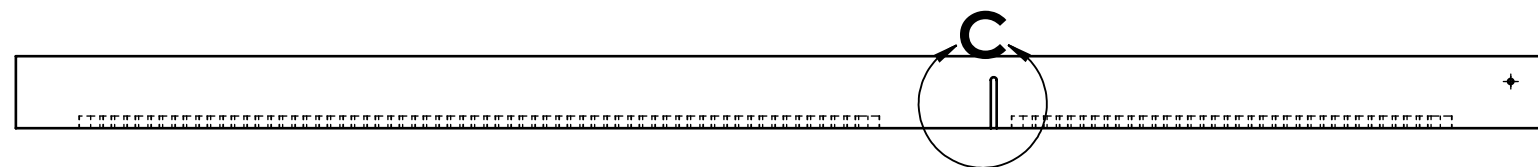


VENT SLATS
52 REQ'D. FOR REAR GRILL

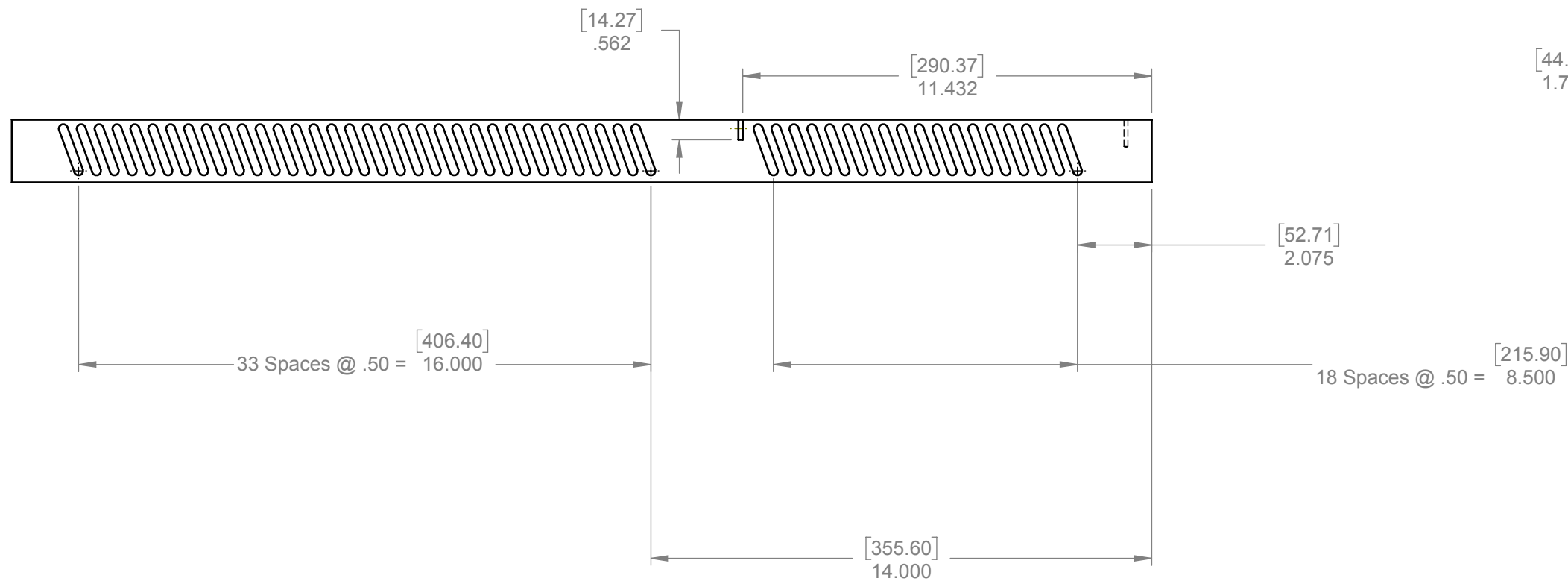


DETAIL C
SCALE 1:2

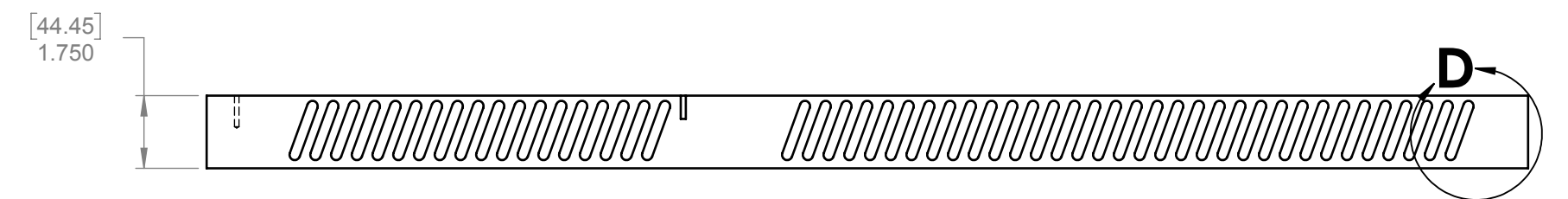
REAR VIEW, SIDE RAIL



DETAIL D
SCALE 1:2



LEFT HAND SIDE RAIL, FOR REAR PASS THROUGH GRILL

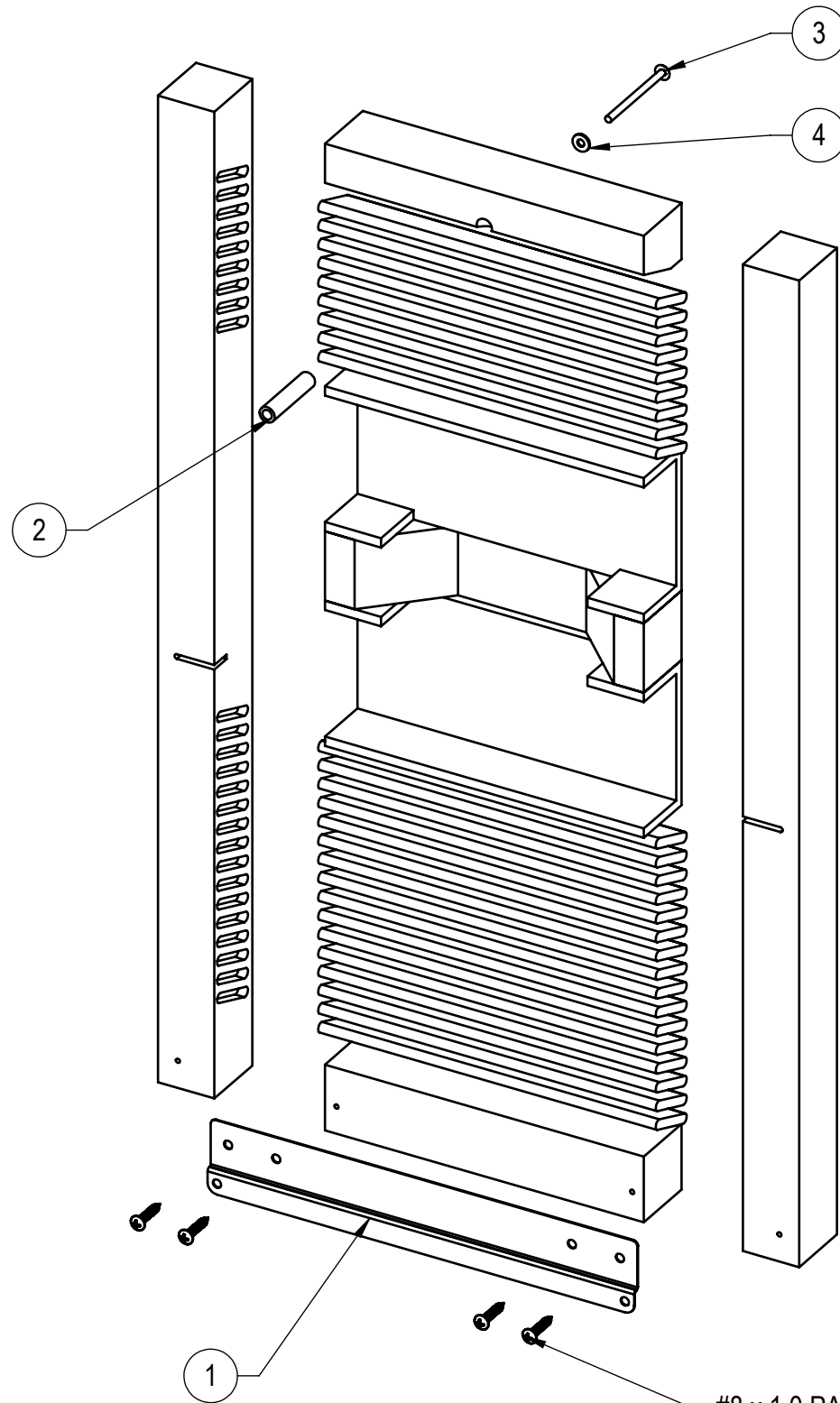


RIGHT HAND SIDE RAIL, FOR REAR PASS THROUGH GRILL

ADDED LOW HEIGHT GRILLE		
D	10/10/2018	KDS
67894-1 WAS 65861-1 67916-1 WAS 63825-12		
C	5/09/2018	KDS
REVISED SINGLE CONTROL GRILL FOR CLEARANCE AROUND CONTROL		
B	9/26/2017	JMP
RELEASED KIT		
A	8/7/2013	CJT
REVISIONS		

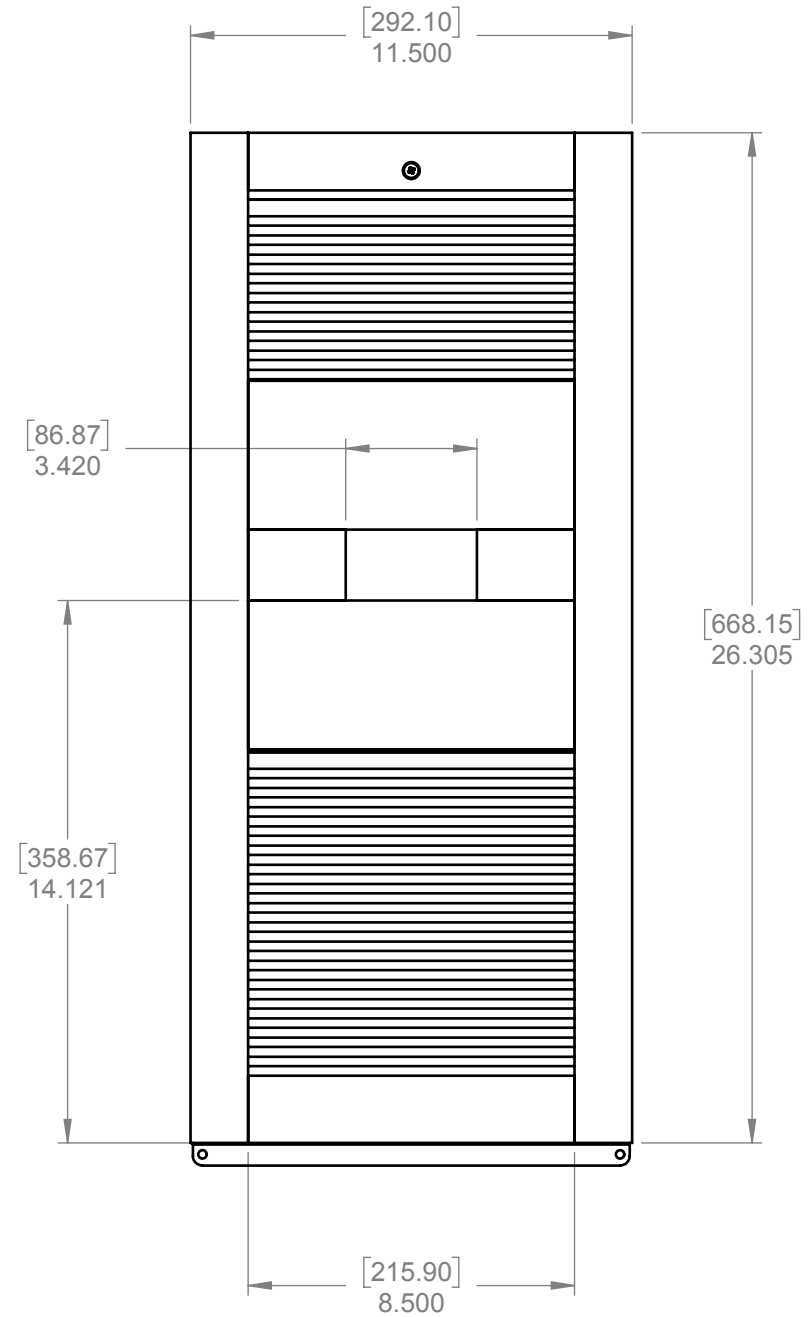
UNLESS OTHERWISE SPECIFIED:			SIGNATURES		DATE	Perlick Corporation Milwaukee, Wisconsin	
DIMENSIONS ARE IN INCHES TOLERANCES: X = ±.1 XX = ±.03 XXX = ±.015 ANGULAR: ±1.5°, FRACTIONS: ±1/64 BREAK SHARP EDGES - .015 X 45° RADIUS SHARP FILLETS - .015 TO .031			DESIGNED	CJT	7/15/2013	TITLE: WOOD GRILL, SIDE RAIL DETAILS	
MATERIAL:			DRAWN	CJT	7/16/2013	REFERENCE: PART NO. KIT 67893-1	DWG NO. 67893
			CHECKED			PURCHASE REC.:	SCALE = 1:16 SHEET 10 OF 13
			QTY.:				
			FINISH:				

THIS DOCUMENT / PUBLICATION / SOFTWARE / DRAWING CONTAINS PROPRIETARY INFORMATION WHICH IS THE PROPERTY OF THE PERLICK CORPORATION. IT MAY NOT BE REPRODUCED OR TRANSMITTED IN ANY FORM, ELECTRONIC OR MECHANICAL, INCLUDING PHOTOCOPIING, RECORDING, OR USED IN ANY INFORMATION STORAGE, TRANSMISSION, OR RETRIEVAL SYSTEM, WITHOUT WRITTEN PERMISSION FROM THE PERLICK CORPORATION. COPYRIGHT 2001 PERLICK CORPORATION. ALL RIGHTS RESERVED.



#8 x 1.0 PAN HEAD WOOD SCREW (4) NOT PROVIDED

ITEM NO.	PART NUMBER	DESCRIPTION	67893-LP/QTY.
1	67894-1	WOOD GRILLE MOUNTING BRACKET	1
2	67688-1	Standoff, Grille, Back Bar	1
3	M00502-135	Screw, Machine, #8-32 x 2-1/2" Lg, Phillips Truss Head	1
4	M00600-080	WASHER, FLAT, #8, TYPE 302SS	1



ADDED LOW HEIGHT GRILLE

D 10/10/2018 KDS

67894-1 WAS 65861-1
67916-1 WAS 63825-12

C 5/09/2018 KDS

REVISED SINGLE CONTROL GRILLE
FOR CLEARANCE AROUND CONTROL

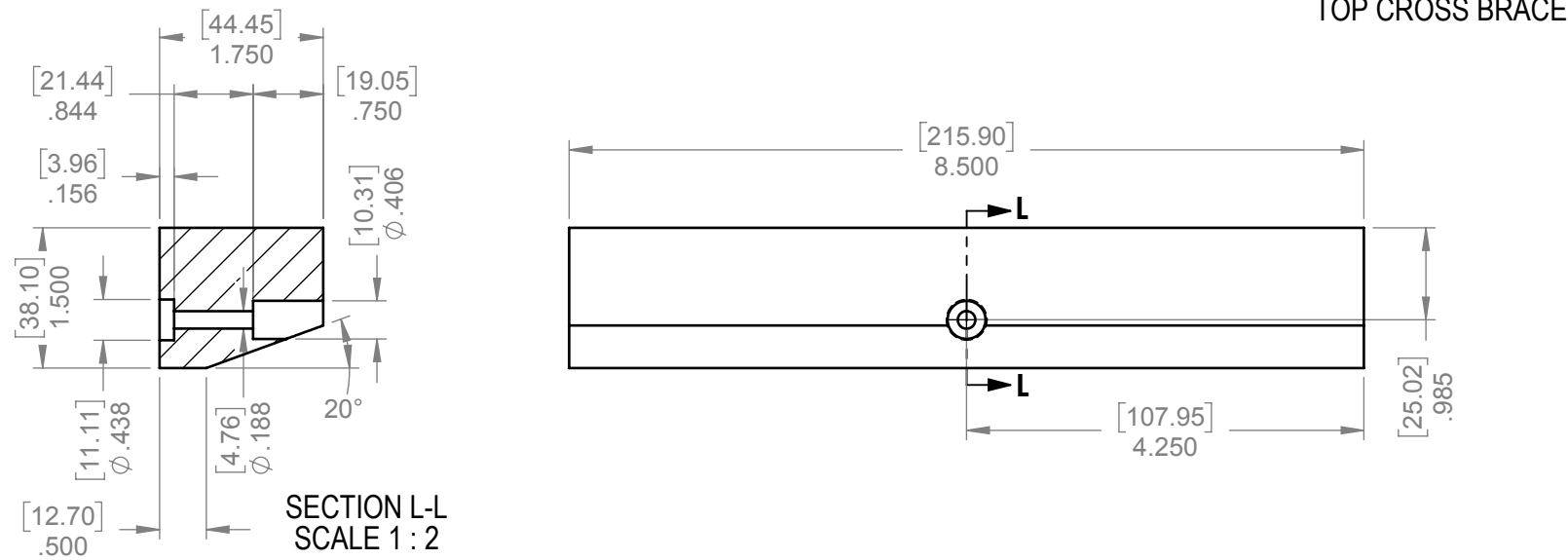
B 9/26/2017 JMP

RELEASE TO PRODUCTION

A 8/7/2013 CJT

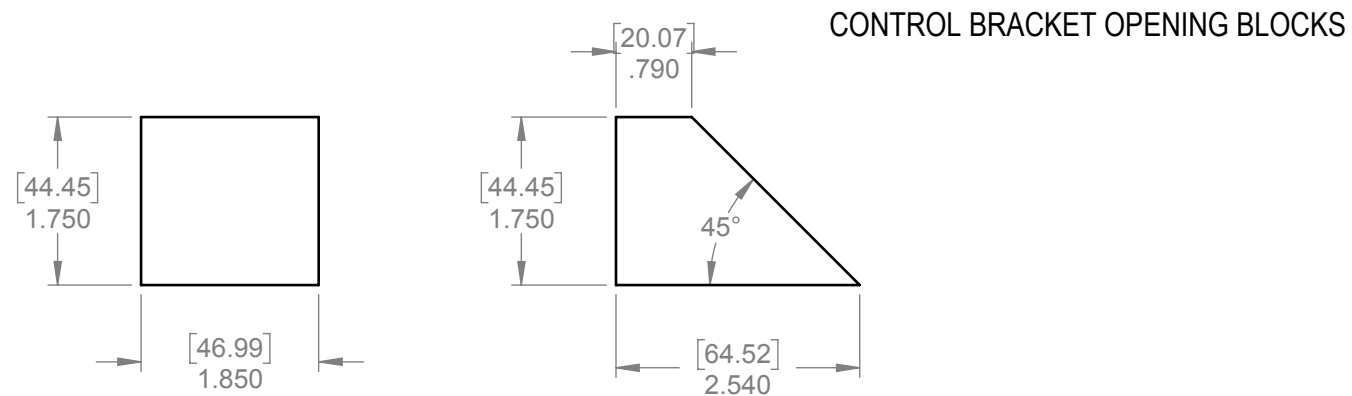
REVISIONS

MATERIAL:	SIGNATURES	DATE	Perlick Corporation Milwaukee, Wisconsin	
DRAWN BY:				
APPVD BY: KS		10/10/2018	TITLE: WOOD GRILLE LOW HEIGHT ASSEMBLY	
UNLESS OTHERWISE SPECIFIED: DIMENSIONS ARE IN INCHES TOLERANCES:			REFERENCE:	
QTY.: _	BREAK SHARP EDGES - .015 X 45° RADIUS SHARP FILLETS - .015 TO .031		PART NO.	DWG NO.
FINISH:	HOLES: Ø .1260 THRU Ø .250: ±.005 Ø .2510 THRU Ø .500: ±.006 Ø .5010 THRU Ø .750: ±.008 Ø .7510 THRU Ø 1.000: ±.010 Ø 1.001 & UP: ±.012		67893	67893
THIS DOCUMENT / PUBLICATION / SOFTWARE / DRAWING CONTAINS PROPRIETARY INFORMATION WHICH IS THE PROPERTY OF THE PERLICK CORPORATION. IT MAY NOT BE REPRODUCED OR TRANSMITTED IN ANY FORM, ELECTRONIC OR MECHANICAL, INCLUDING PHOTOCOPYING, RECORDING, OR USED IN ANY INFORMATION STORAGE, TRANSMISSION, OR RETRIEVAL SYSTEM, WITHOUT WRITTEN PERMISSION FROM THE PERLICK CORPORATION. COPYRIGHT 2015 PERLICK CORPORATION. ALL RIGHTS RESERVED.			PURCHASE REC.:	SCALE = 1:8 SHEET 11 OF 13

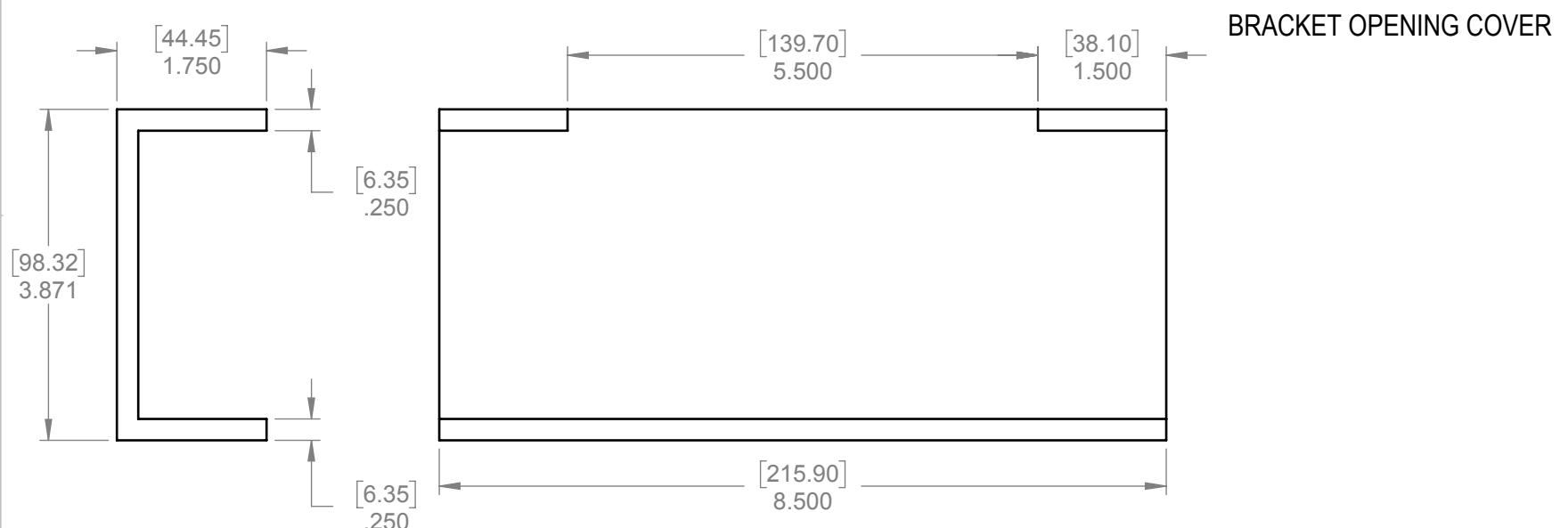


SECTION L-L
SCALE 1:2

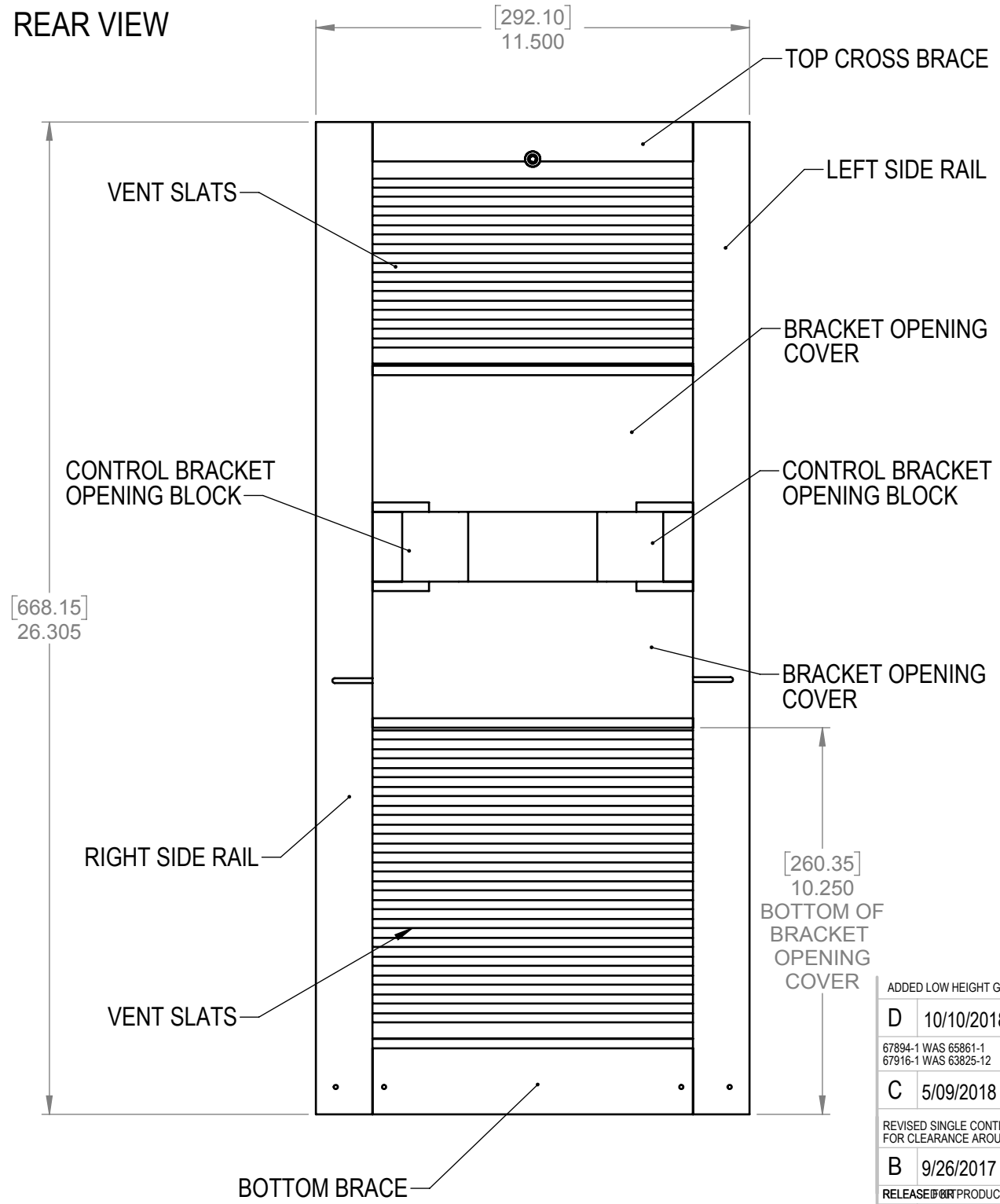
TOP CROSS BRACE



CONTROL BRACKET OPENING BLOCKS



BRACKET OPENING COVER



REAR VIEW

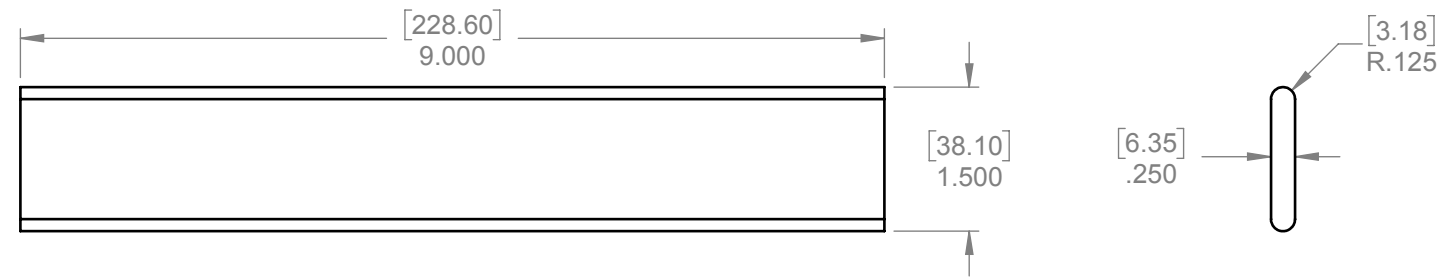
FRONT GRILLE WITH SINGLE CONTROL, LOW HEIGHT

ADDED LOW HEIGHT GRILLE		
D	10/10/2018	KDS
67894-1 WAS 65861-1 67916-1 WAS 63825-12		
C	5/09/2018	KDS
REVISED SINGLE CONTROL GRILL FOR CLEARANCE AROUND CONTROL		
B	9/26/2017	JMP
RELEASE TO PRODUCTION		
A	8/7/2013	CJT
REVISIONS		

MATERIAL:	SIGNATURES	DATE	Perlick Corporation Milwaukee, Wisconsin	
	DRAWN BY:			
	APPVD BY: KS	10/10/2018	TITLE: WOOD GRILL, LOW HEIGHT ASSEMBLY	
	UNLESS OTHERWISE SPECIFIED: DIMENSIONS ARE IN INCHES TOLERANCES:		REFERENCE:	
QTY.: -	BREAK SHARP EDGES - .015 X 45° RADIUS SHARP FILLETS - .015 TO .031		PART NO.	DWG NO.
FINISH:	HOLES: Ø .1260 THRU Ø .250: ±.005 Ø .2510 THRU Ø .500: ±.006 Ø .5010 THRU Ø .750: ±.008 Ø .7510 THRU Ø 1.000: ±.010 Ø 1.001 & UP: ±.012		67893	67893
			PURCHASE REC.:	SCALE = 1:8
				SHEET 12 OF 13

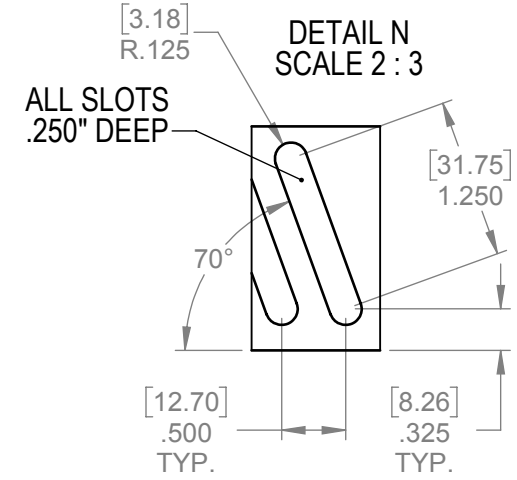
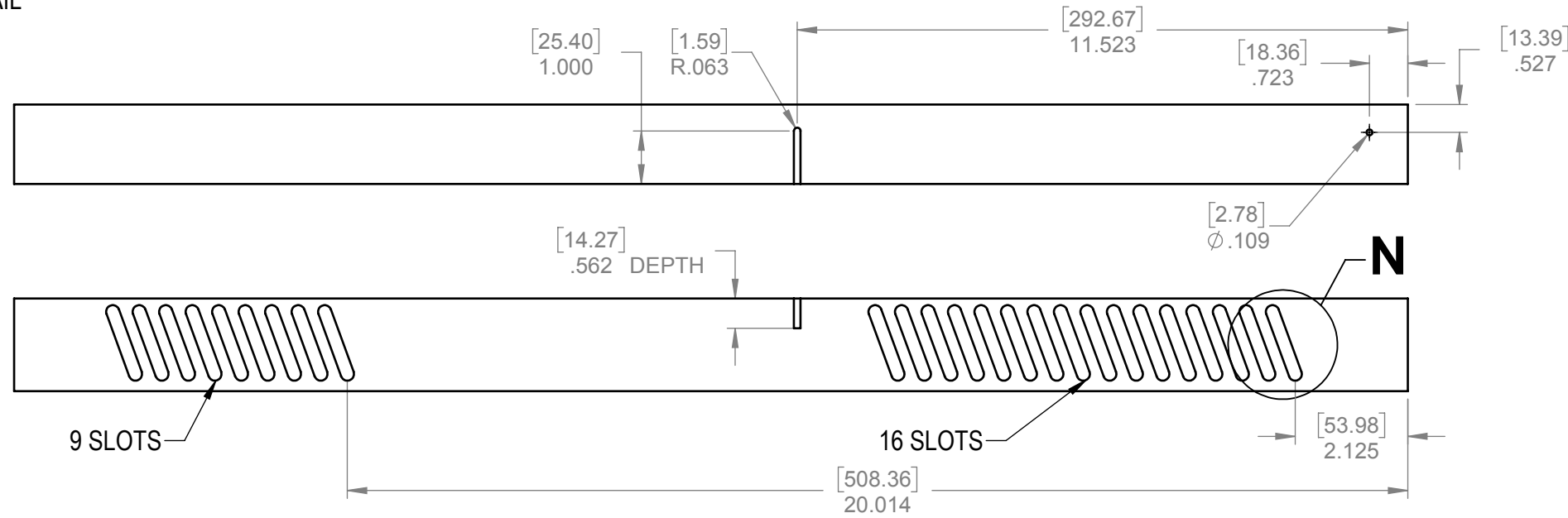
THIS DOCUMENT / PUBLICATION / SOFTWARE / DRAWING CONTAINS PROPRIETARY INFORMATION WHICH IS THE PROPERTY OF THE PERLICK CORPORATION. IT MAY NOT BE REPRODUCED OR TRANSMITTED IN ANY FORM, ELECTRONIC OR MECHANICAL, INCLUDING PHOTOCOPYING, RECORDING, OR USED IN ANY INFORMATION STORAGE, TRANSMISSION, OR RETRIEVAL SYSTEM, WITHOUT WRITTEN PERMISSION FROM THE PERLICK CORPORATION. COPYRIGHT 2015 PERLICK CORPORATION. ALL RIGHTS RESERVED.

VENT SLATS

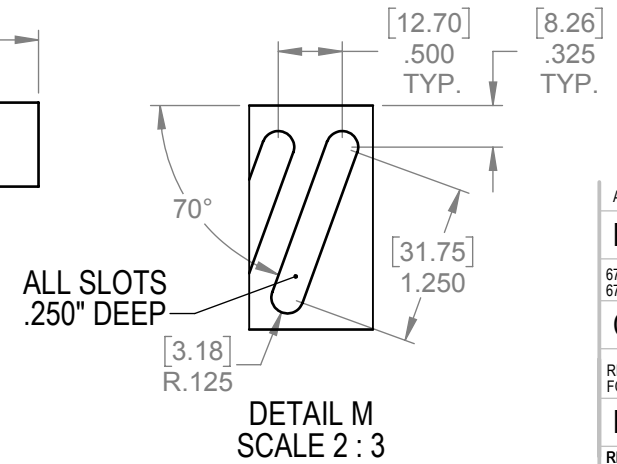
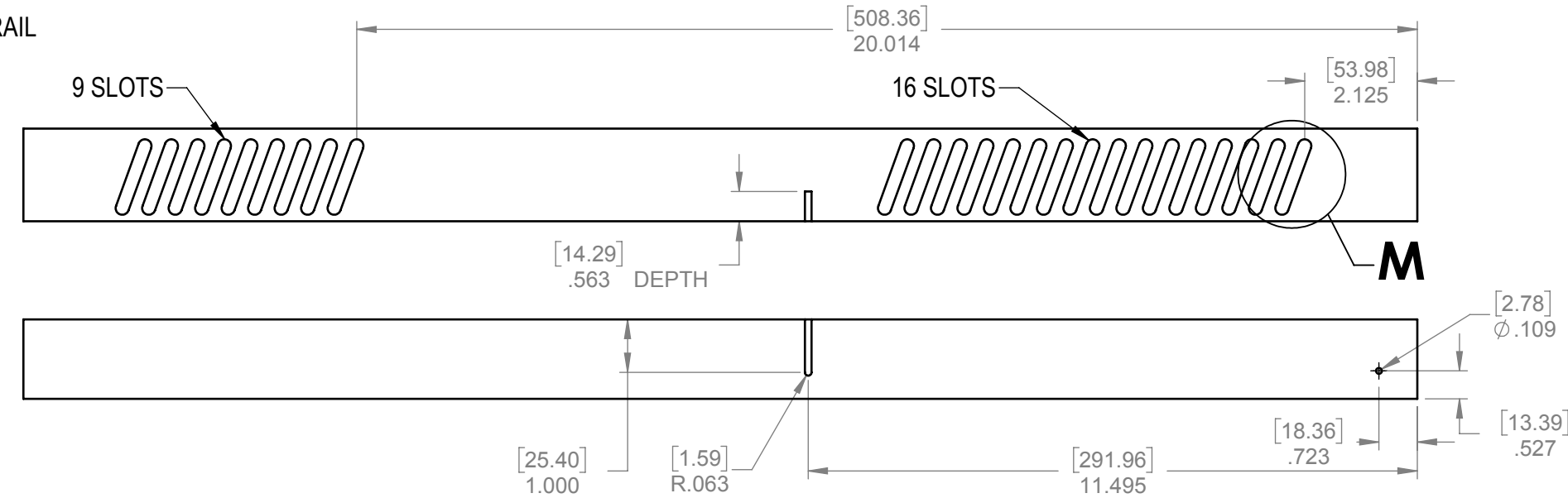


FRONT GRILLE WITH SINGLE CONTROL, LOW HEIGHT

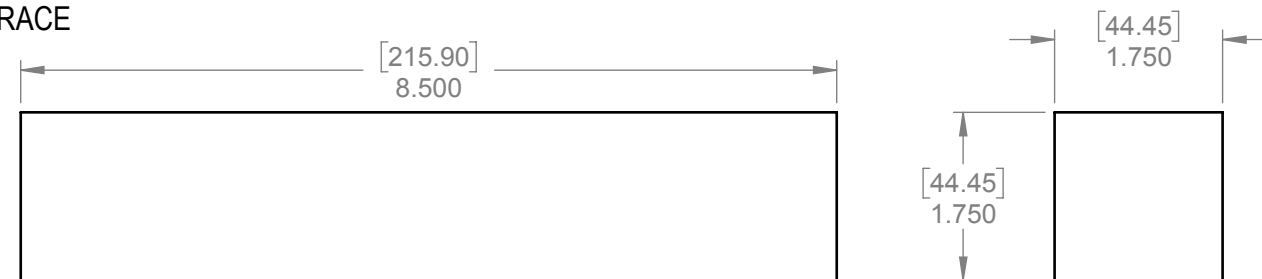
LEFT SIDE RAIL



RIGHT SIDE RAIL



BOTTOM BRACE



ADDED LOW HEIGHT GRILLE		
D	10/10/2018	KDS
67894-1 WAS 65861-1 67916-1 WAS 63825-12		
C	5/09/2018	KDS
REVISED SINGLE CONTROL GRILL FOR CLEARANCE AROUND CONTROL		
B	9/26/2017	JMP
RELEASE FOR PRODUCTION		
A	8/7/2013	CJT
REVISIONS		

MATERIAL:

SIGNATURES

DATE

DRAWN BY:
 APPVD BY: KS 10/10/2018

UNLESS OTHERWISE SPECIFIED:
 DIMENSIONS ARE IN INCHES TOLERANCES:

QTY.: -

FINISH:

BREAK SHARP EDGES - .015 X 45°
 RADIUS SHARP FILLETS - .015 TO .031
 HOLES: Ø .0135 THRU Ø .125: ±.004
 Ø .1260 THRU Ø .250: ±.005
 Ø .2510 THRU Ø .500: ±.006
 Ø .5010 THRU Ø .750: ±.008
 Ø .7510 THRU Ø 1.000: ±.010
 Ø 1.001 & UP: ±.012

TITLE:

Perlick Corporation
Milwaukee, Wisconsin

**WOOD GRILL,
 LOW HEIGHT GRILLE DETAILS**

REFERENCE:

PART NO.
67893

DWG NO.
67893

PURCHASE REC.:

SCALE = 1:4

SHEET 13 OF 13

THIS DOCUMENT / PUBLICATION / SOFTWARE / DRAWING CONTAINS PROPRIETARY INFORMATION WHICH IS THE PROPERTY OF THE PERLICK CORPORATION. IT MAY NOT BE REPRODUCED OR TRANSMITTED IN ANY FORM, ELECTRONIC OR MECHANICAL, INCLUDING PHOTOCOPYING, RECORDING, OR USED IN ANY INFORMATION STORAGE, TRANSMISSION, OR RETRIEVAL SYSTEM, WITHOUT WRITTEN PERMISSION FROM THE PERLICK CORPORATION. COPYRIGHT 2015 PERLICK CORPORATION. ALL RIGHTS RESERVED.