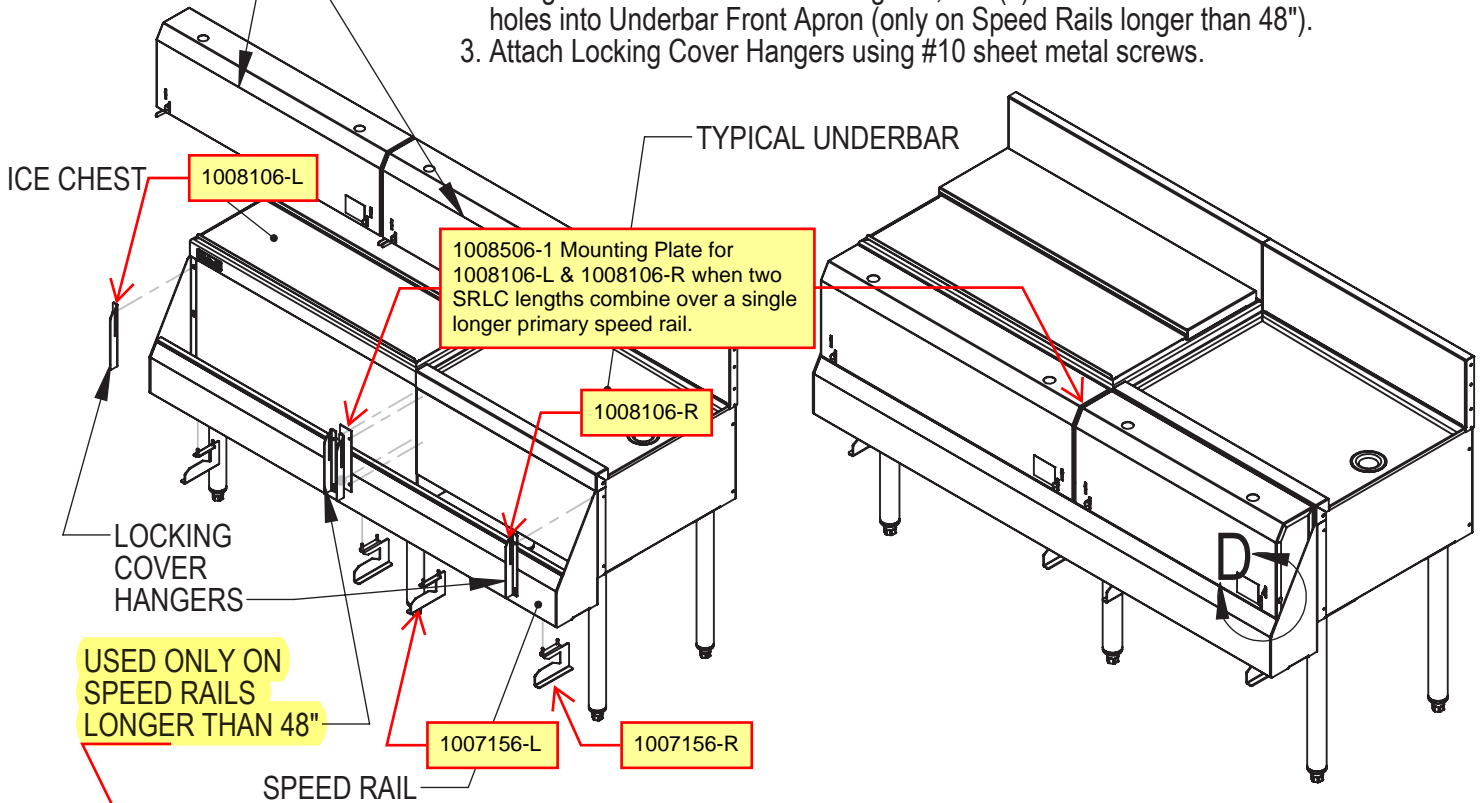


UNDERBAR FIELD INSTALLED LOCKING COVER SPEED RAIL INSTALLATION INSTRUCTIONS

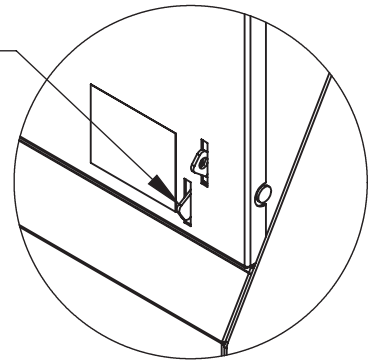
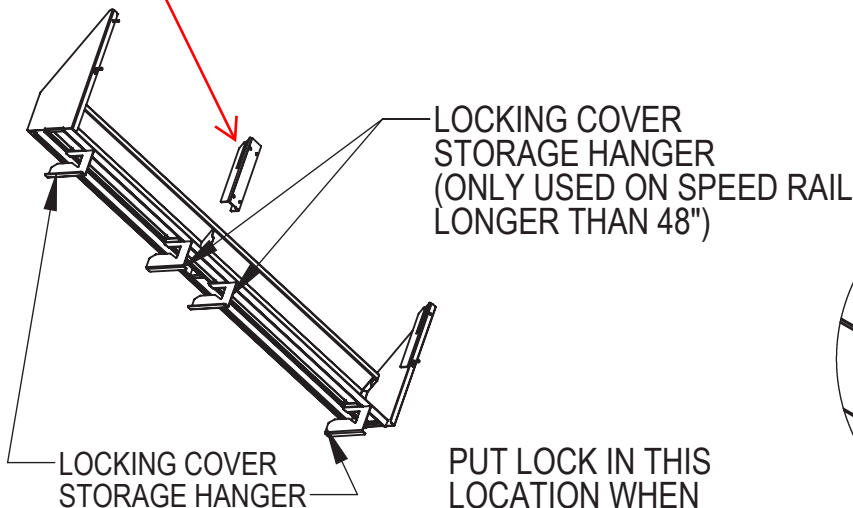
1. Remove top Screws from Speed Rail, Loosen lower Screws from Speed Rail.
2. Using holes in Center Plate as a guide, drill (4) 9/64" diameter holes into Underbar Front Apron (only on Speed Rails longer than 48").
3. Attach Locking Cover Hangers using #10 sheet metal screws.



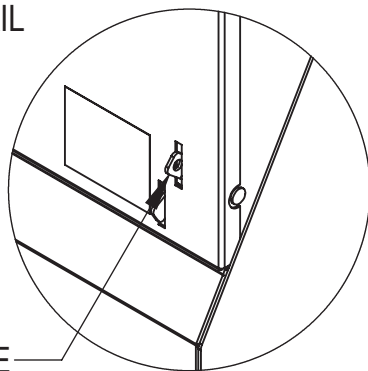
TO LOCK SPEED RAIL
LOCATE LOCKS IN HOLES

INSTALLING COVER STORAGE HANGERS ON SPEED RAILS:

4. Attach Storage Hangers to under Side of Speed Rail using # 10 Screws and Holes in Speed Rail Shelf



DETAIL D
SCALE 1 : 4



PUT LOCK IN THIS
LOCATION WHEN
UNLOCKED FOR STORAGE



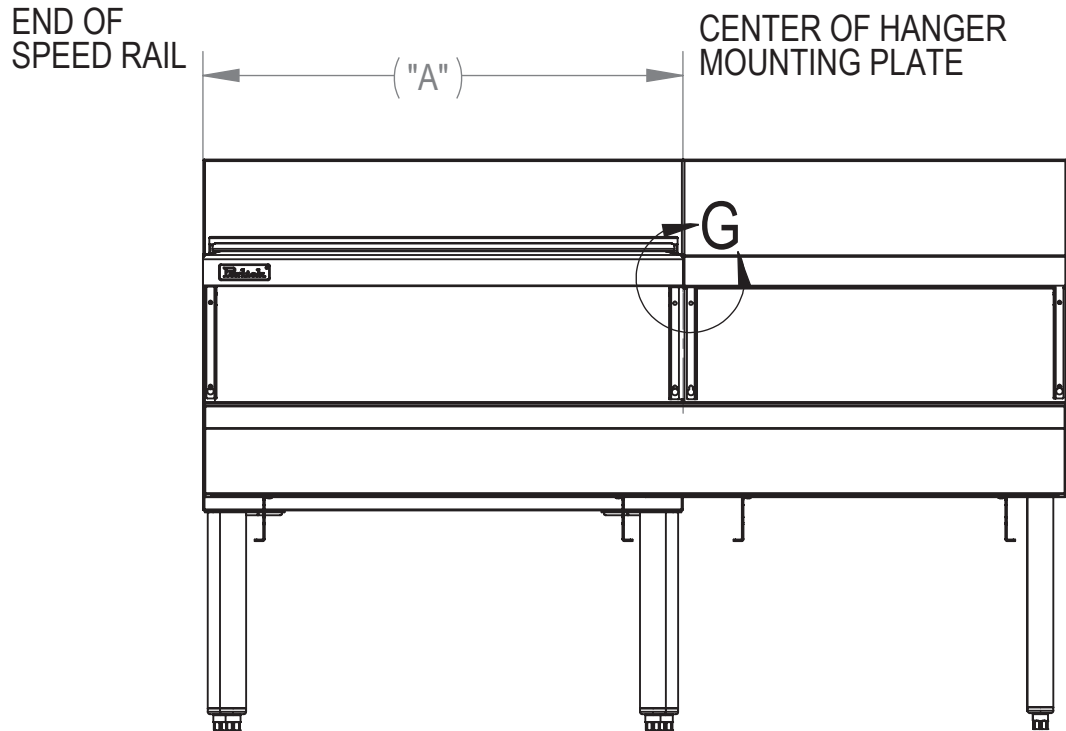
Perlick Corporation
Milwaukee, WI 53223

SCALE	NTS
DRAWN	JWB DATE 1-1-2017

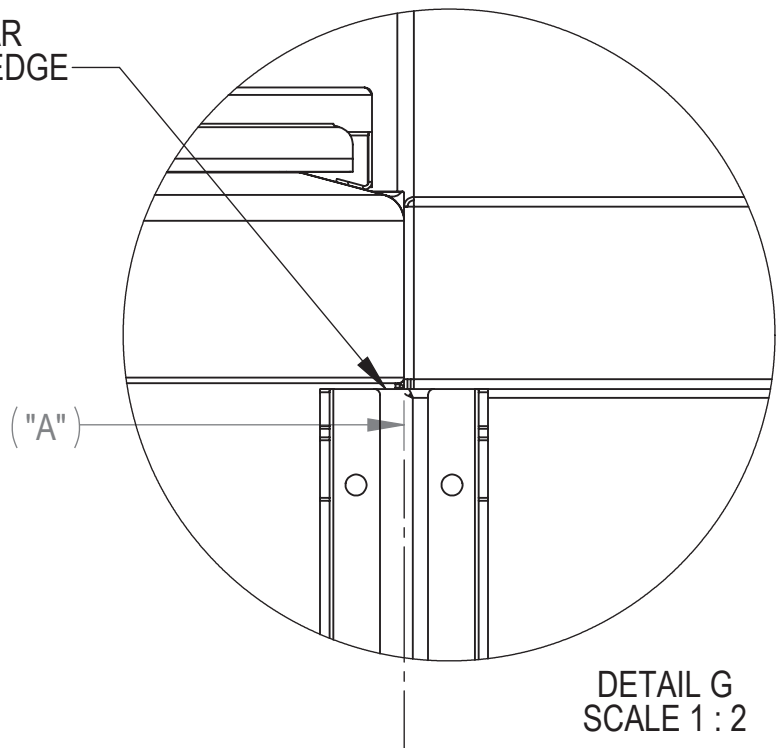
C30904A

SHEET 1 OF 2

UNDERBAR FIELD INSTALLED LOCKING COVER
SPEED RAIL INSTALLATION INSTRUCTIONS
FOR SPEED RAILS LONGER THAN 48"



TOP EDGE
 FLUSH WITH UNDERBAR
 EQUIPMENT LOWER LEDGE



DETAIL G
 SCALE 1 : 2

SPEED RAIL LENGTH	DIM "A"
54"	30"
60"	30"
66"	36"
72"	36"
78"	42"
84"	42"
90"	48"
96"	48"



Perlick Corporation
 Milwaukee, WI 53223

SCALE 1:12
 DRAWN JWB DATE 1-1-2017

C30904A

SHEET 2 OF 2