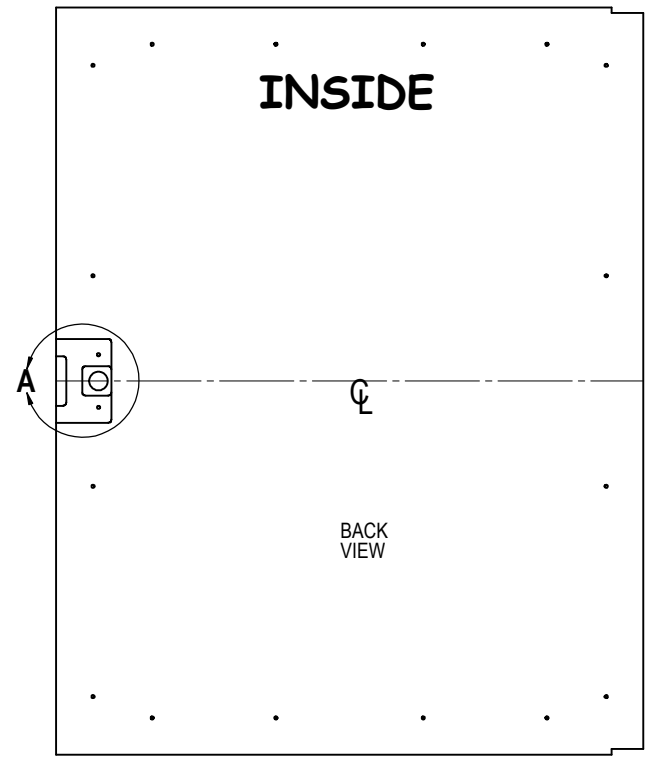


DETAIL A
SCALE 1 : 1.5

**NOTE: VALID FOR ANY ORDERS
ENTER ON OR AFTER JAN. 1, 2016**

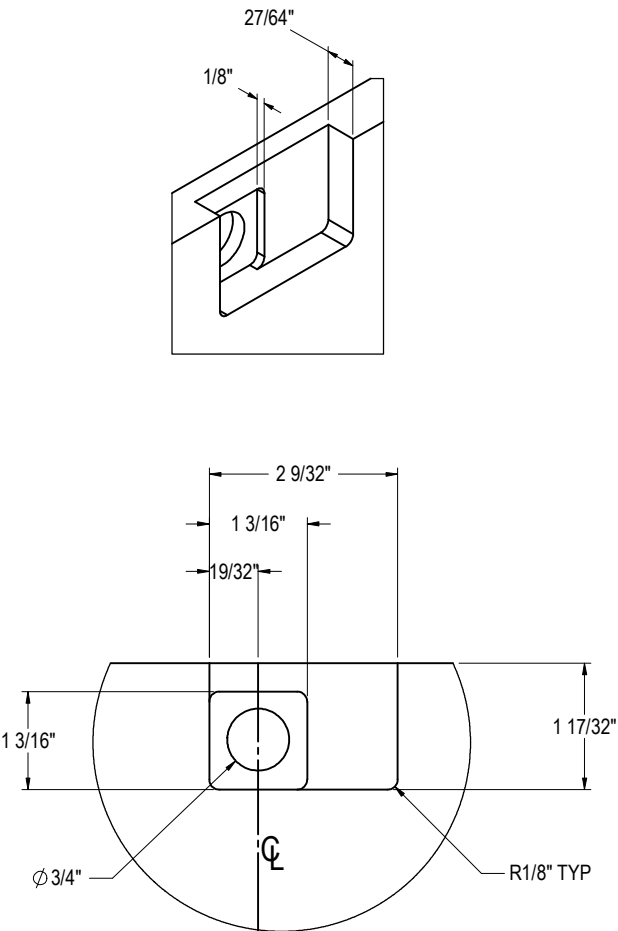


BACK
VIEW

RELEASE FOR PRODUCTION		
A	11/10/2015	JMP
REVISIONS		

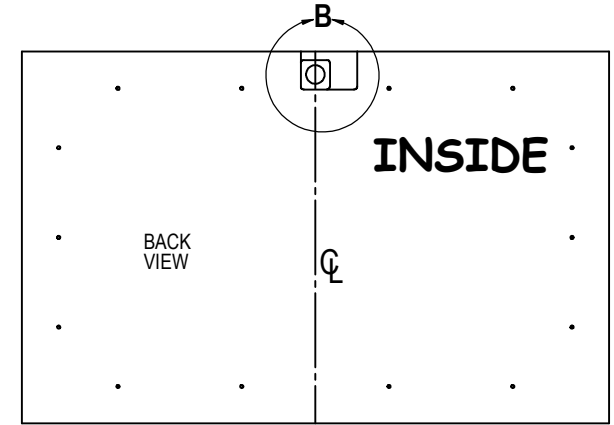
UNLESS OTHERWISE SPECIFIED:		SIGNATURES	DATE
DIMENSIONS ARE IN INCHES		DESIGNED	JMP 11/10/2015
TOLERANCES:		DRAWN	JMP 11/10/2015
.X = ±.05,		CHECKED	11/10/2015
.XX = ±.01,			
.XXX = ±.005,			
ANGULAR: ±.5°, FRACTIONS: ±1/64			
BREAK SHARP EDGES - .015 X 45°			
RADIUS SHARP FILLETS - .015 TO .031			
MATERIAL:	QTY.:		
	FINISH:		

Perlick Corporation Milwaukee, Wisconsin	
TITLE: SOLID WOOD OVERLAY RESIDENTIAL DOORS W/LOCKS	
REFERENCE: PART NO.	DWG NO. 68134A
PURCHASE REC.:	SCALE = 1:5 SHEET 16 OF 17



DETAIL B
SCALE 1 : 1.5

**NOTE: VALID FOR ANY ORDERS
ENTER ON OR AFTER JAN. 1, 2016**



RELEASE FOR PRODUCTION		
A	11/10/2015	JMP
REVISIONS		

UNLESS OTHERWISE SPECIFIED:		SIGNATURES	DATE	Perlick Corporation Milwaukee, Wisconsin	
DIMENSIONS ARE IN INCHES		DESIGNED JMP	11/10/2015		
TOLERANCES:		DRAWN JMP	11/10/2015	REFERENCE:	
.X = ±.05,		CHECKED	11/10/2015		
.XX = ±.01,				PURCHASE REC.: SCALE = 1:5 SHEET 17 OF 17	
.XXX = ±.005,					
ANGULAR: ±.5°, FRACTIONS: ±1/64					
BREAK SHARP EDGES - 015 X 45°					
RADIUS SHARP FILLETS - .015 TO .031					
MATERIAL:		QTY.:			
		FINISH:			