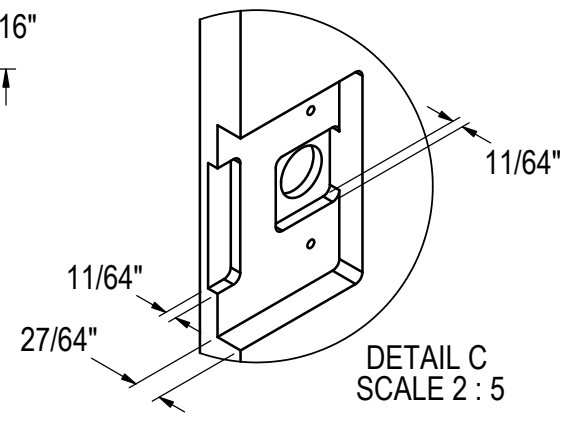
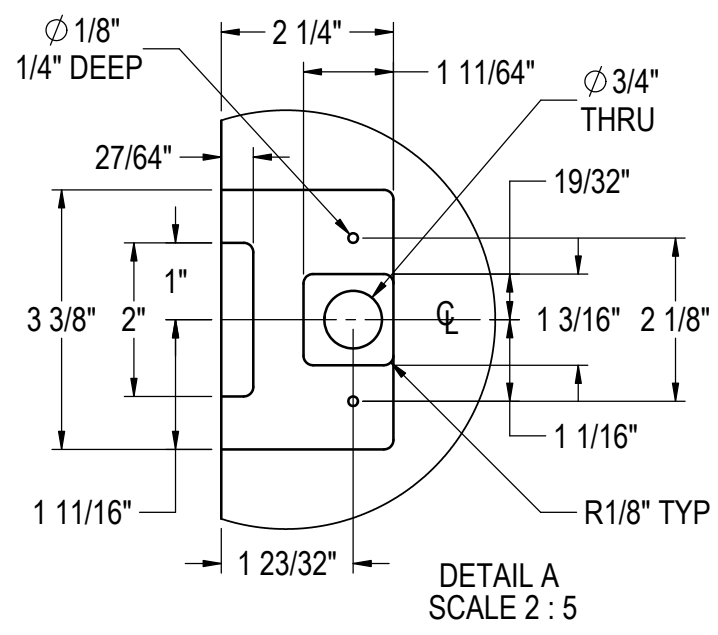


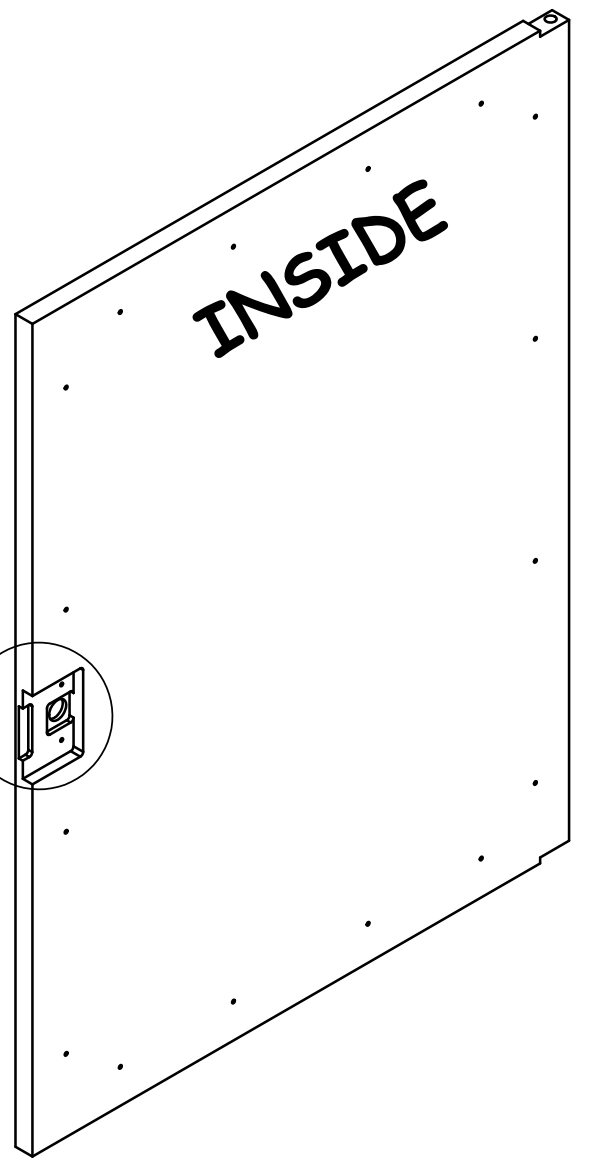
DETAIL B
SCALE 1 : 1



DETAIL C
SCALE 2 : 5



DETAIL A
SCALE 2 : 5



BACK
VIEW

**NOTE: VALID FOR ANY ORDERS
ENTER ON OR AFTER JAN. 1, 2016**

RELEASE FOR PRODUCTION		
A	11/10/2015	JMP
REVISIONS		

UNLESS OTHERWISE SPECIFIED: DIMENSIONS ARE IN INCHES TOLERANCES: .X = ±.05, .XX = ±.01, .XXX = ±.005, ANGULAR: ±.5°, FRACTIONS: ±1/64 BREAK SHARP EDGES - .015 X 45°. RADIUS SHARP FILLETS - .015 TO .031	SIGNATURES	DATE
	DESIGNED JMP	11/10/2015
	DRAWN JMP	11/10/2015
	CHECKED	11/10/2015

Perlick Corporation
Milwaukee, Wisconsin

TITLE:
SOLID WOOD OVERLAY,
BACK BAR, 24" DOOR

MATERIAL: WOOD	QTY.:
FINISH:	

REFERENCE: N/A	DWG NO.
PART NO. 68134A-1	68134A
PURCHASE REC.:	SCALE = 1:5
	SHEET 1 OF 16

THIS DOCUMENT / PUBLICATION / SOFTWARE / DRAWING CONTAINS PROPRIETARY INFORMATION WHICH IS THE PROPERTY OF THE PERLICK CORPORATION. IT MAY NOT BE REPRODUCED OR TRANSMITTED IN ANY FORM, ELECTRONIC OR MECHANICAL, INCLUDING PHOTOCOPYING, RECORDING, OR USED IN ANY INFORMATION STORAGE, TRANSMISSION, OR RETRIEVAL SYSTEM, WITHOUT WRITTEN PERMISSION FROM THE PERLICK CORPORATION. COPYRIGHT 2001 PERLICK CORPORATION. ALL RIGHTS RESERVED.